

## D-100 FLOW DISPLAY with NETWORK INTERFACE Installation and Operation Guide





# TABLE OF CONTENTS

1.0	INTRODUCTION .....	5
1.1	Purpose of this guide .....	5
1.2	Typical D-100 Network Interface Module.....	5
1.3	Standard Features and Specifications.....	5
1.4	Additional Hardware Required.....	7
1.5	Working Environment .....	7
1.6	Warranty & Serial Number .....	7
2.0	UNPACKING.....	7
2.1	Checking that you have received everything.....	7
3.0	INSTALLATION.....	8
3.1	Site Selection .....	8
3.2	Mechanical Installation .....	9
3.3	Electrical Installation.....	10
3.3.1	Input Signal Connections from Flow Meter .....	10
3.3.1.1	ONICON Turbine Flow Meters .....	11
3.3.1.2	ONICON F-3500 Flow Meters .....	12
3.3.1.3	ONICON FB-3500 Flow Meters .....	12
3.3.1.4	ONICON F-3100 and F-3200 Flow Meters.....	13
3.3.1.5	ONICON F-2500 Flow Meters .....	14
3.3.1.6	ONICON F-2600 & 2700 Series Flow Meters .....	15
3.3.1.7	ONICON F-4200 Series Flow Meters .....	16
3.3.1.8	ONICON F-5100 Series Flow Meters .....	17
3.3.1.9	ONICON F-5200 Series Flow Meters .....	18
3.3.2	Frequency Pulse Flow Input (Di2) .....	19
3.3.3	Analog Flow Input (Ai2).....	19
3.3.4	Directional Contacts.....	19
3.3.5	Analog Inputs (Ai3 & Ai4).....	19
3.3.6	Digital Pulse Input (Di3) .....	19
3.3.7	Totalizer Outputs and Mode Status.....	20
3.3.8	Isolated Analog Outputs .....	20
3.3.9	Input Power.....	21
4.0	D-100 START-UP AND COMMISSIONING.....	23
4.1	Display and Keypad.....	23
4.2	Processor Start-up.....	23
4.3	Units and Multipliers .....	24
4.4	Analog Outputs.....	24
4.5	Enabling / Disabling Front Panel Reset .....	24
4.6	Commissioning .....	25
5.0	DIAGNOSTICS.....	27
5.1	Diagnostics .....	27
5.1.1	Diagnostic Lights.....	27
5.1.2	Flow Test Signals .....	27
5.1.3	Ai3 & Ai4 Test Signals .....	27
5.2	Troubleshooting .....	28

## APPENDIX

- A-1 D-100 DISPLAY MOTHER BOARD
- A-2 D-100 PROCESSOR BOARD
- A-3 D-100 POWER SUPPLY BOARD
- A-4 D-100 ANALOG OUTPUT BOARD
- A-5 D-100 ANALOG OUTPUT BOARD With 4 Analog Outputs
- A-6 CONDITIONS OF SALE

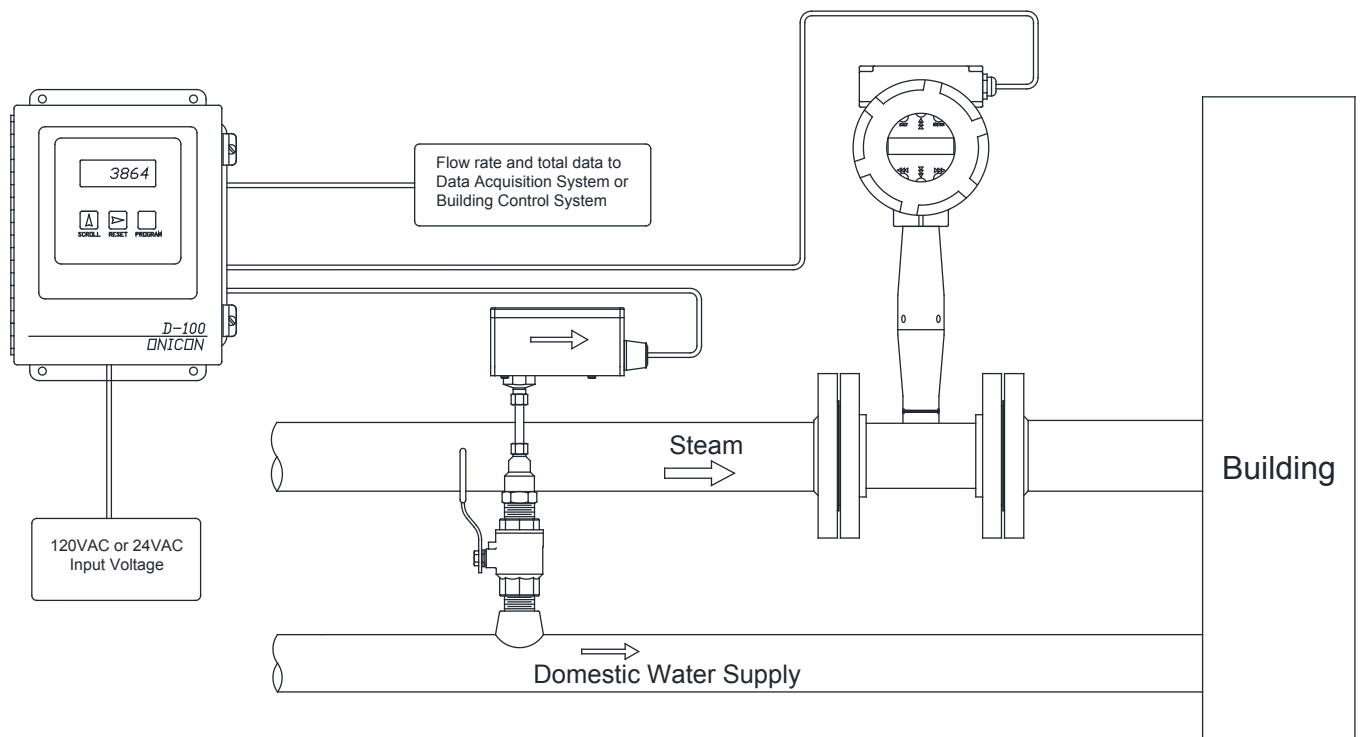
## SECTION 1: INTRODUCTION

### 1.1 PURPOSE OF THIS GUIDE

The purpose of this guide is to provide installation and commissioning procedures and basic operating and servicing instructions for the ONICON D-100 Flow Display and Network Interface Module.

### 1.2 TYPICAL D-100 NETWORK INTERFACE MODULE

The D-100 is a totalizing display module that provides a local indication of liquid, gas or steam flow rate and total data. It can also be configured with an optional network interface to communicate data to the building control network. It is housed in a steel wall mounted enclosure with a built-in user interface/display.



### 1.3 STANDARD FEATURES AND SPECIFICATIONS

- Wall mounted NEMA 13 steel enclosure with 2 line alphanumeric user interface/display
- One configurable pulse/analog rate input with totalizing function
- Internal 24 VDC power supply capable of powering most flow meters
- Scaled pulse (contact closure) outputs for remotely totalizing forward and reverse flow
- Contact closure output to provide an indication of flow direction

## GENERAL SPECIFICATIONS

### ACCURACY

Analog Inputs: 0.1% of full scale  
Analog Outputs: 0.1% of full scale

### PROGRAMMING

Factory programmed for specific application.

### MEMORY

Nonvolatile EEPROM memory retains all program parameters and totalized values in the event of power loss.

### DISPLAY

Standard: 2-line Alphanumeric LCD displays flow rate and flow total for the standard flow input  
Alpha: 16 character, 0.2" high  
Numeric: 7 digit, 0.4" high  
Rate Display Range: 0 - 9,999,999  
Totalizer Display Range: 0 - ,999,999  
The totalizers will roll over to zero when maximum count is exceeded.

### OUTPUT SIGNALS

Pulse Outputs:

Two isolated contact closure outputs for separately totalizing forward and reverse flow from the standard flow input. Contact duration: 0.5, 1, 2 or 6 seconds (factory selectable). Default: 0.5 seconds

Maximum contact ratings: 100 mA, 50 VDC

Isolated contact closure output for indicating flow direction

Maximum contact ratings: 100 mA, 50 VDC

Analog Outputs Options:

Single isolated analog output:

4-20 mA, 0-10 V or 0-5 V

Multiple (4) isolated analog outputs: 4-20 mA, 0-10 V or 0-5 V outputs

Network Interface Options

MODBUS RTU RS485

MODBUS RTU TCP/IP

BACnet MS/TP

BACnet UDP/IP

LONWORKS FTT10A

JCI Metasys - N2

Siemens Apogee - P1 FLN

### INPUT SIGNALS

Standard: One totalizing flow input:  
4-20 mA, contact closure or pulse  
One contact closure input for flow direction

Optional: Two auxiliary analog rate inputs:  
4-20 mA  
One digital totalizer input: pulse or contact closure  
Totalizer Range: 0-9,999,999 counts.  
Total will rollover to zero when maximum count is exceeded.

### TEMPERATURE RANGE

Ambient temperature range: -20° F to 140° F  
Do not install in direct sunlight.

### MAINTENANCE

ONICON recommends periodic inspection and recalibration for sensors connected to the D-100.  
No other periodic maintenance is required for the main unit.

### MECHANICAL

Electronics Enclosure:

Standard: Steel NEMA 13, wall mount, 8"x10"x4"

Optional: NEMA 4

### ELECTRICAL



#### WARNING

All electrical connections must be made in accordance with the information provided here. Failure to do so will result in an increase in risk of injury.

This equipment is intended for INSTALLATION CATEGORY (OVERVOLTAGE CATEGORY) II applications.

INPUT POWER:

Factory Selectable:

24 VAC: 20 - 28V, 50/60 Hz, 500 mA

120 VAC: 108 - 132V, 50/60 Hz, 250 mA

240 VAC: 207 - 253V, 50 Hz, 250 mA

INTERNAL FUSE RATING:

24 VAC - 1 Amp Slo-Blo, 3AG Fuse

120 VAC - 1/4 Amp Slo-Blo, 3AG Fuse

240 VAC - 1/8 Amp Slo-Blo, 3AG Fuse

OUTPUT:

24 VDC, 250 mA maximum

OVERCURRENT PROTECTIVE DEVICE RATINGS:

Supply mains overcurrent protective devices with the following ratings:

120 VAC 50/60 Hz – 15 A

240 VAC 50 Hz – 6 A

WIRING:

Flow signals: Use 18-22 ga shielded cable – see flow meter specification sheet or flow meter manual for the correct number of conductors.

24 VAC input power: Use PVC jacketed copper cable with a wire gauge suitable for the length of run and required maximum current carrying capacity. The installation must comply with all local, state and federal building codes.

120/240 VAC input power: Use a three wire service with one wire a protective earth ground. The installation must comply with all local, state and federal building codes.

Note: Specifications are subject to change without notice.

## 1.4 ADDITIONAL REQUIRED HARDWARE

### Flow Meter

ONICON offers a wide variety of flow meters to satisfy most liquid, gas and steam metering applications. Please refer to ONICON's flow meter literature, or consult ONICON or your local representative for help in selecting the flow meter that will best fit your requirements.

## 1.5 WORKING ENVIRONMENT

The D-100 was designed for installation and use in typical industrial environments that are free of corrosive liquids and fumes, direct liquid exposure, heavy condensation, temperature extremes, and vibrations. Do not expose the display to direct sunlight.

The operating ambient air temperature range is - 20° F to 140° F. Electrical power should be relatively clean, free of high frequency noise, large voltage transients, and protected from power surges and brown-outs.

## 1.6 WARRANTY & SERIAL NUMBER

### Warranty

ONICON's 2-year "No-fault" warranty reduces start-up costs by extending coverage for incidental damage during installation. Certain exclusions apply. Please refer to ONICON's Conditions of Sale for details.

### Serial Number

The serial number of your D-100 is located outside and inside the enclosure. Also located inside the enclosure is a label with the serial number of the associated ONICON flow meter or sensor your D-100 was intended to be used with. The serial numbers are unique identifiers that you should have available when contacting ONICON for assistance regarding the installation or use of this product.

## SECTION: 2.0 UNPACKING

The D-100 is shipped in one package unless optional hardware or equipment is ordered. Notify the freight carrier and ONICON if any items are damaged in transit.

## 2.1 CHECKING THAT YOU HAVE RECEIVED EVERYTHING

- **Standard Documentation**

Enclosed with each D-100 is a comprehensive documentation package that includes the following items:

The D-100 Installation and Operation Guide  
The D-100 Configuration Data Sheet



### IMPORTANT NOTE

The ONICON D-100 is delivered fully programmed and ready to use with a specific flow meter. The serial number of the flow meter and any other sensor used with this D-100 will be found on a label located inside the enclosure. Do not attempt to use the D-100 with any other flow meter or sensor. Doing so will result in significant errors in the flow reading.

Please notify ONICON if any of these items are missing.

- **The D-100**  
Remove the D-100 from the shipping carton and inspect it for physical damage. When you complete the external inspection, open the enclosure and inspect the interior for signs of damage in transit. Also, confirm that the circuit boards and connectors are all securely seated in their sockets. Please notify ONICON immediately if you find any discrepancies.
- **The Flow Meter**  
The flow meter intended for use with this display came complete with an instruction manual. Please refer to the flow meter instruction manual for detailed information regarding the installation, commissioning and operation of the flow meter. Each D-100 is calibrated to a specific flow meter, the two must be used together as a system. If the flow meter and display were purchased together, the serial number on the flow meter will be located on a label inside the D-100.

## **SECTION 3.0: INSTALLATION**

The D-100 should be installed by qualified individuals with knowledge and experience in the heating, cooling, and fluid metering fields. ONICON will be happy to assist with technical recommendations and to provide guidance by telephone and/or email. On-site field engineering, installation and service are also available at an additional cost. The installer should use good trade practices and must adhere to all state, federal and local building codes.

### **3.1 SITE SELECTION**

Careful attention to the site selection for the system components will help the installers with the initial installation, reduce start-up problems and make future maintenance easier. For example, do not install the flow meter where it will be difficult for personnel to perform periodic maintenance and calibration. When selecting a site for mounting the system components, consider the criteria under Section 1.5 WORKING ENVIRONMENT, as well as the following:

#### **The D-100**

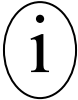
Find an easily accessible location where wire connections can be made and meter readings can be taken from floor level. Mount the D-100 on a vibration free surface. Avoid locations such as the plenum of a fan coil, heat exchanger or any housing that may contain electric motors or other strong sources of electrical interference.

#### **The Flow Meter**

Choose the location with the longest straight run of unobstructed pipe. Please refer to the flow meter installation manual for specific information regarding the straight run requirements for the flow meter used with this display.



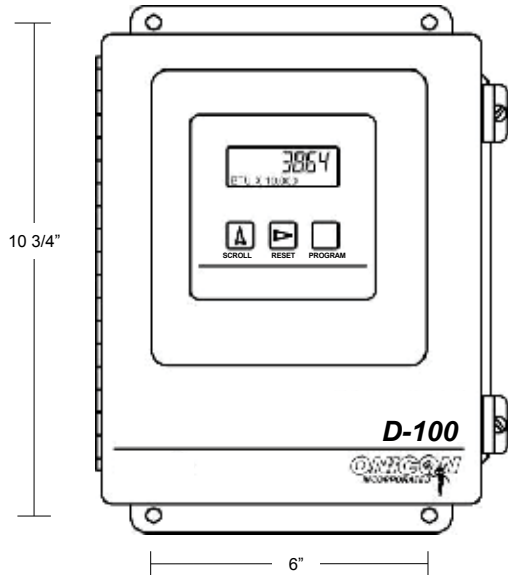
## 3.2 MECHANICAL INSTALLATION



### IMPORTANT NOTE

The ONICON D-100 Display is a custom calibrated system. Unless specifically noted in writing by ONICON, ALL COMPONENTS (Display and flow meter) share the same serial number and must be installed together as a system. Mixing components from different systems will result in significant errors in calibration.

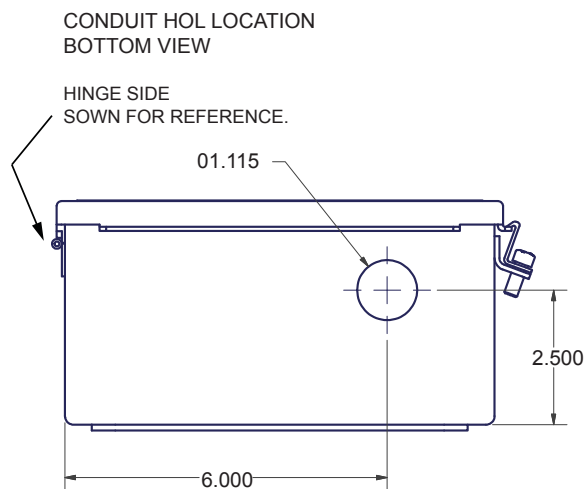
#### 3.2.1 Main Unit Installation



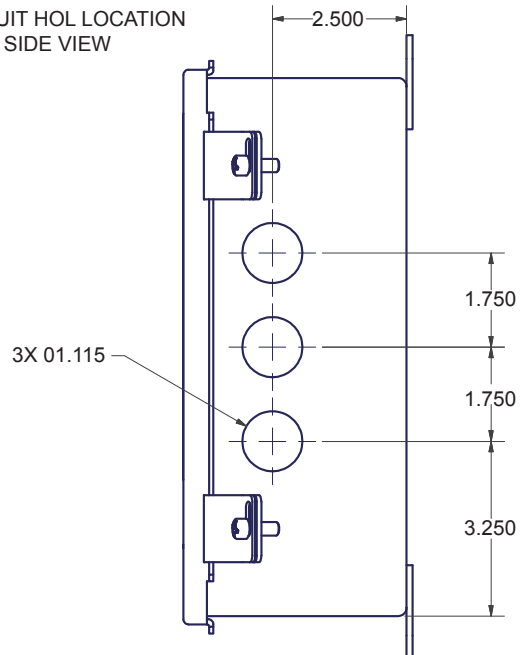
- Find an easily accessible location where electrical connections can be made and meter readings can be taken from the floor level.
- Mount the display on a vibration-free surface. Avoid sites such as the plenum of a fan coil, heat exchanger, or other housings containing motors. Do not install the display in direct sunlight.

Use four screws for mounting the display. The mounting surface must be structurally sound and capable of withstanding a minimum weight of 40lbs (18kg). Use the following screws for mounting.

- (4) Machine screws - HHMS .25-20 x 1.5"
- (4) Wood screws - FHLS .25 x 1.5"
- (4) Concrete screws - HHCS .25 x 1.5"



CONDUIT HOL LOCATION  
RIGHT SIDE VIEW



### CAUTION

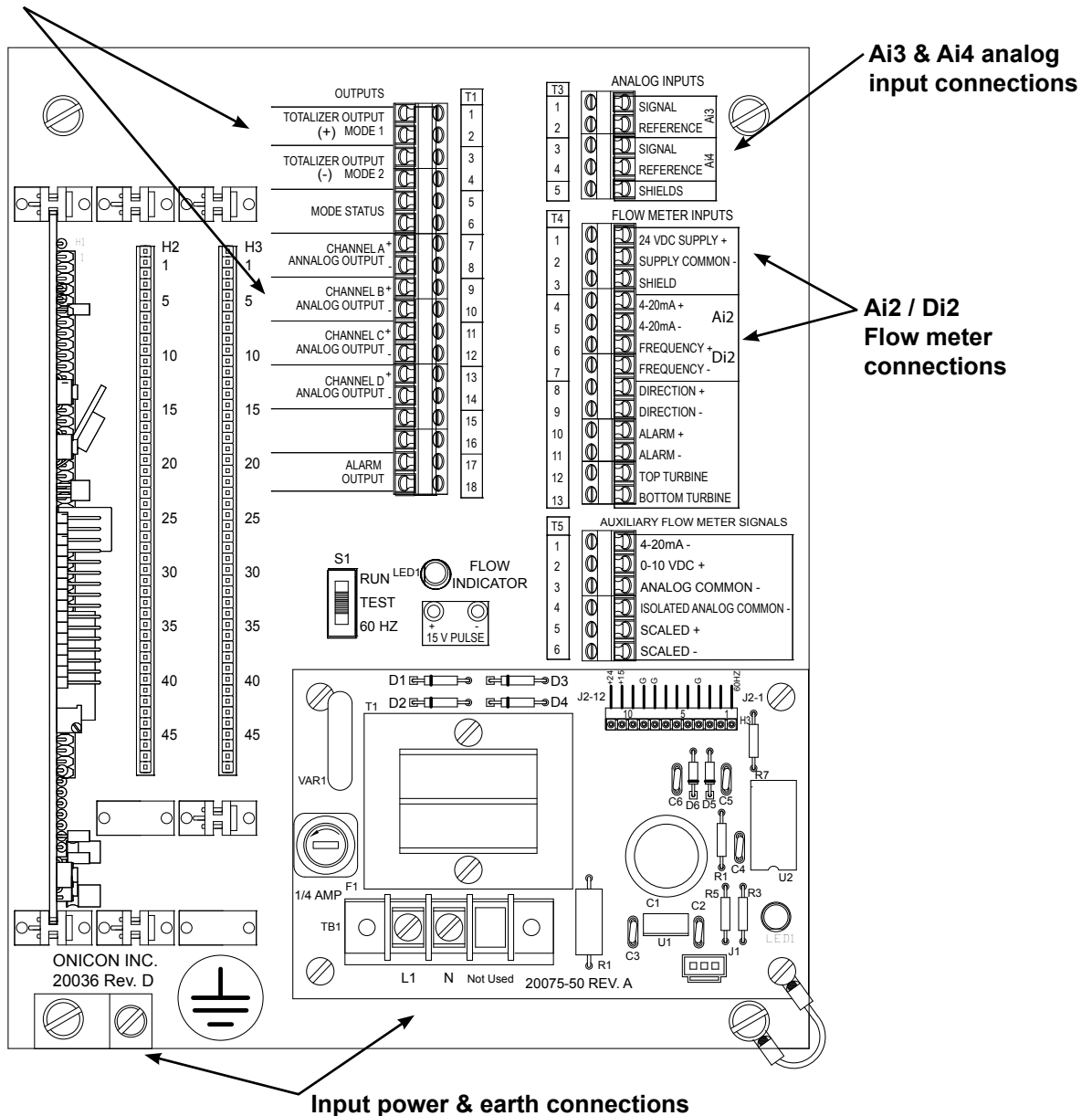
Do not drill additional holes in this enclosure. Doing so may damage the electronic circuitry contained within and will void all warranties.

### 3.3 ELECTRICAL INSTALLATION

The electrical installation of this product must comply with all federal, state and local building codes. Connect and re-verify all input, output, network interface and safety earth wiring connections prior to connecting power.

The drawing below shows where signal, power and earth connections are made on the mother board located inside the D-100 enclosure. Network and digital pulse input connections are made on the network interface board (not shown). Refer to section 3.3.1 for detailed information on connecting flow meters, sensors, output signal and power connections.

#### Pulse and analog output connections

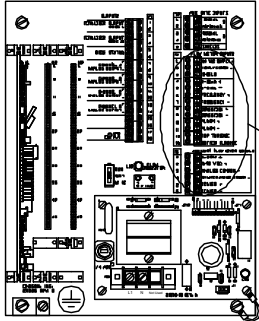


#### 3.3.1 Input Signal Connections from Flow Meter

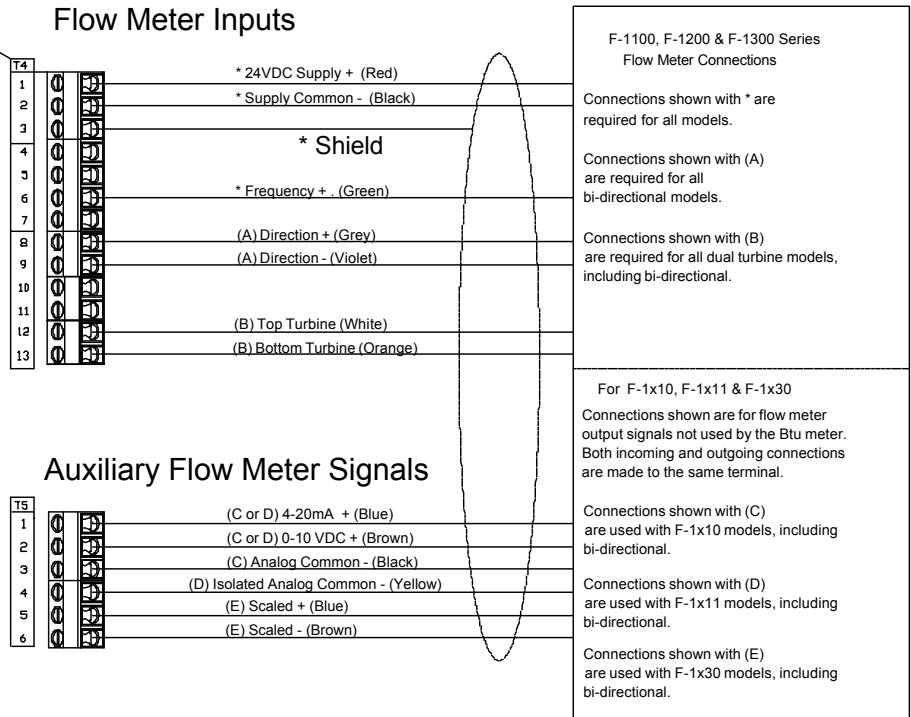
Make connections on the mother board, located inside the enclosure, at terminal strip T4. Analog (4-20mA) signals connect to terminals 4 and 5. Pulse (frequency) signals connect to terminals 6 and 7. Do not exceed 4.5 in-lb (0.5 Nm) of torque when tightening.

### 3.3.1.1 ONICON Turbine Flow Meters

ONICON turbine flow meters are provided with a number of different output configurations. These affect the number of wires contained in the cable attached to the flow meter. Refer to the diagram below and the laminated tag attached to the flow meter for specific details.



ONICON Turbine Flow Meter  
Factory Installed Cable



ONICON turbine flow meters are provided with a variety of output signals. Only the red, green and black wires are required to power the flow meter and operate the display. For bi-directional applications, the gray and violet wires are also required to indicate flow direction.

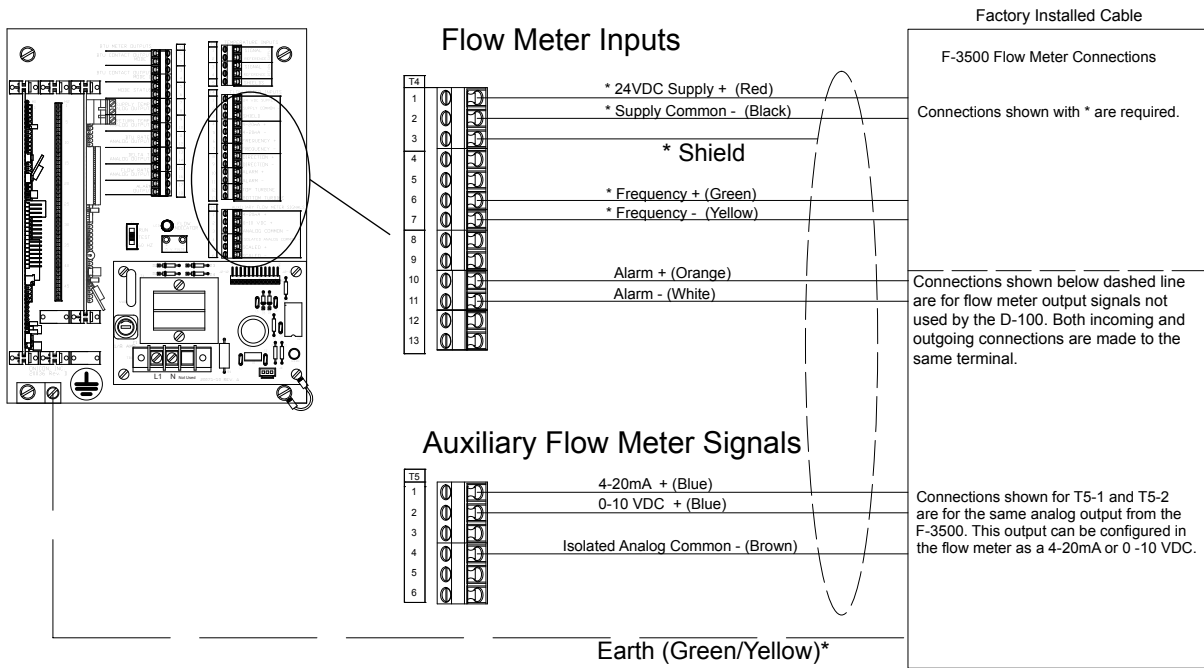
- Top and bottom turbine signals are only used with the F-1200 and FB-1200 flow meters.
- Directional contacts are only used by FB-1200 flow meters.
- Terminal block positions are provided for additional flow meter signals that may be available, but are not actually used by the D-100.

#### CAUTION

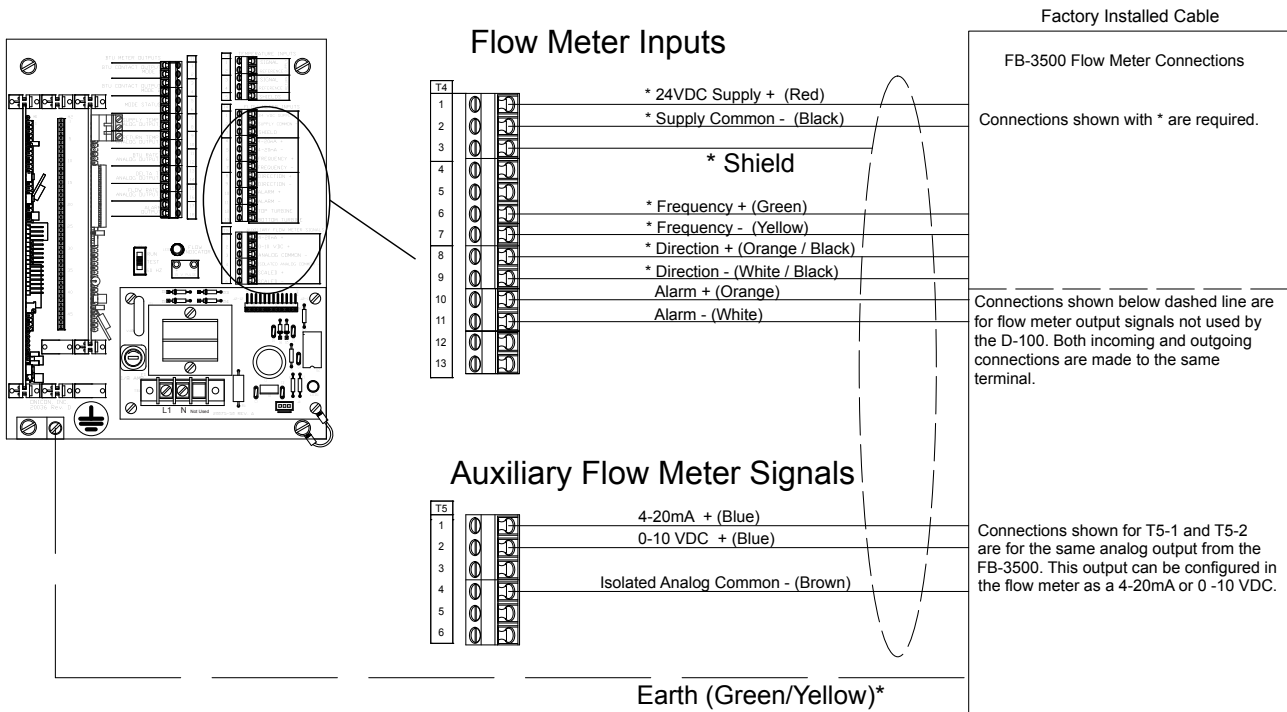


Shield connections are required for proper operation. Failure to use shielded cable or to properly terminate shield connections may result in erratic operation. Shields should be terminated in the D-100 at the terminals provided. The shield connection at the flow meter should be left unterminated.

### 3.3.1.2 Input Signal Connections from F-3500 Flow Meter

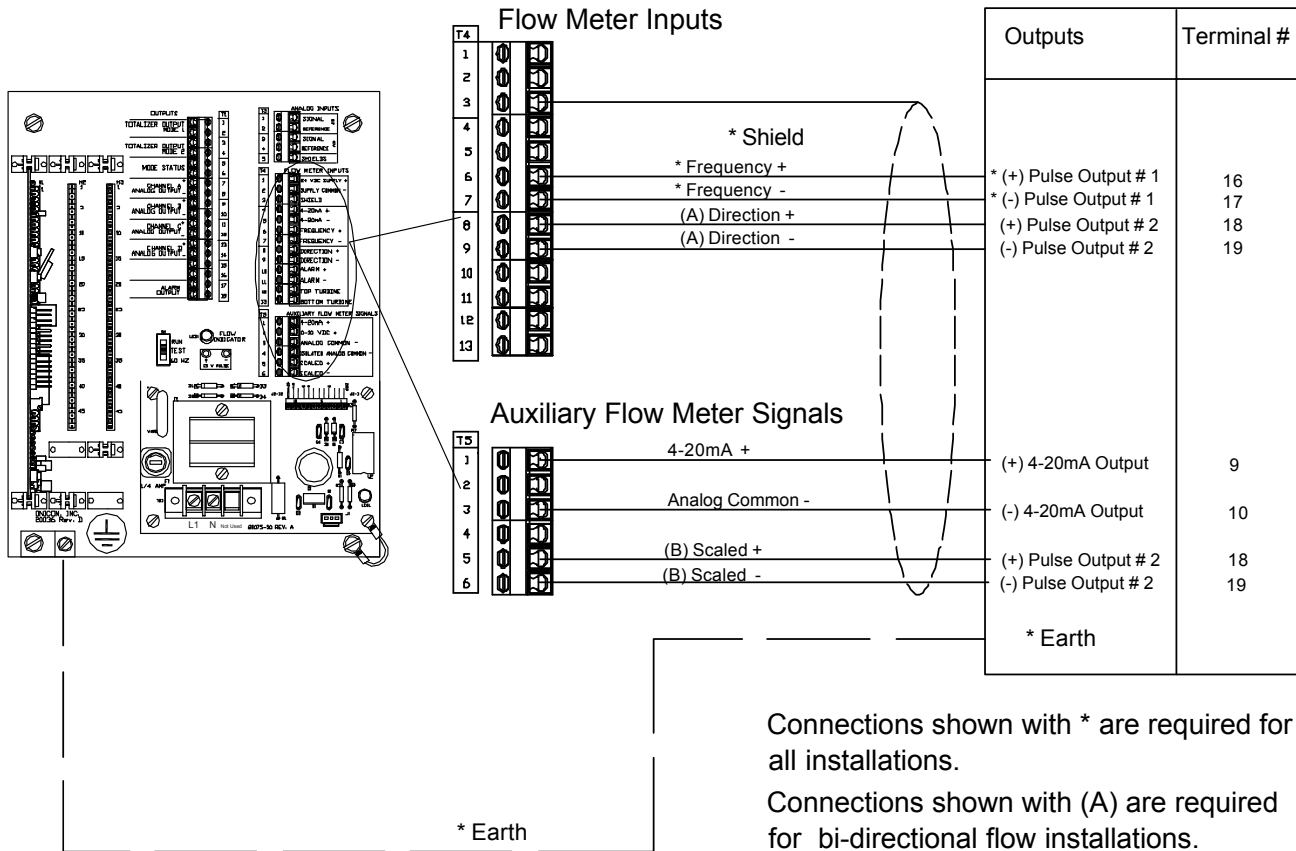


### 3.3.1.3 Input Signal Connections from FB-3500 Flow Meter



### 3.3.1.3 ONICON F-3100 and F-3200 Flow Meters

#### F-3100 & F-3200 Flow Meter Connections



Connections shown with \* are required for all installations.

Connections shown with (A) are required for bi-directional flow installations.

Connections shown with (B) are optional for non bi-directional installations.

Note: The D-100 does not provide power to the F-3100 or F-3200 flow meter. Input power for the flow meter must be provided separately. See flow meter manual for detailed wiring instructions.



#### CAUTION

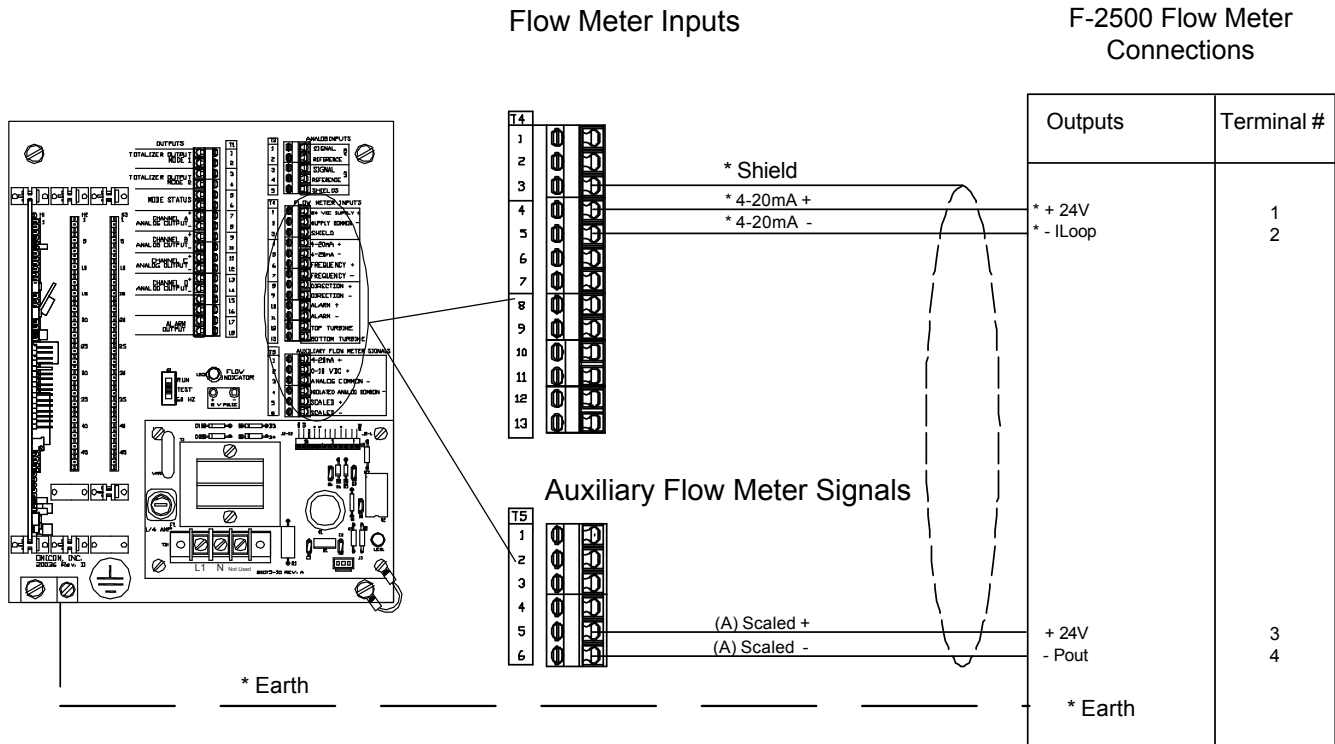
The D-100 internal 24 V power supply cannot provide power to the F-3100 or F-3200 flow meters.



#### CAUTION

Shield and earth connections are required for proper operation. Failure to use shielded cable or to connect earth to both the flow meter and D-100 may result in erratic operation. Shields should be terminated at the D-100 shield terminals and left unterminated at the flow meter.

### 3.3.1.4 ONICON F-2500 Flow Meters



Connections shown with \* are required for all installations. Connections shown with (A) are optional.

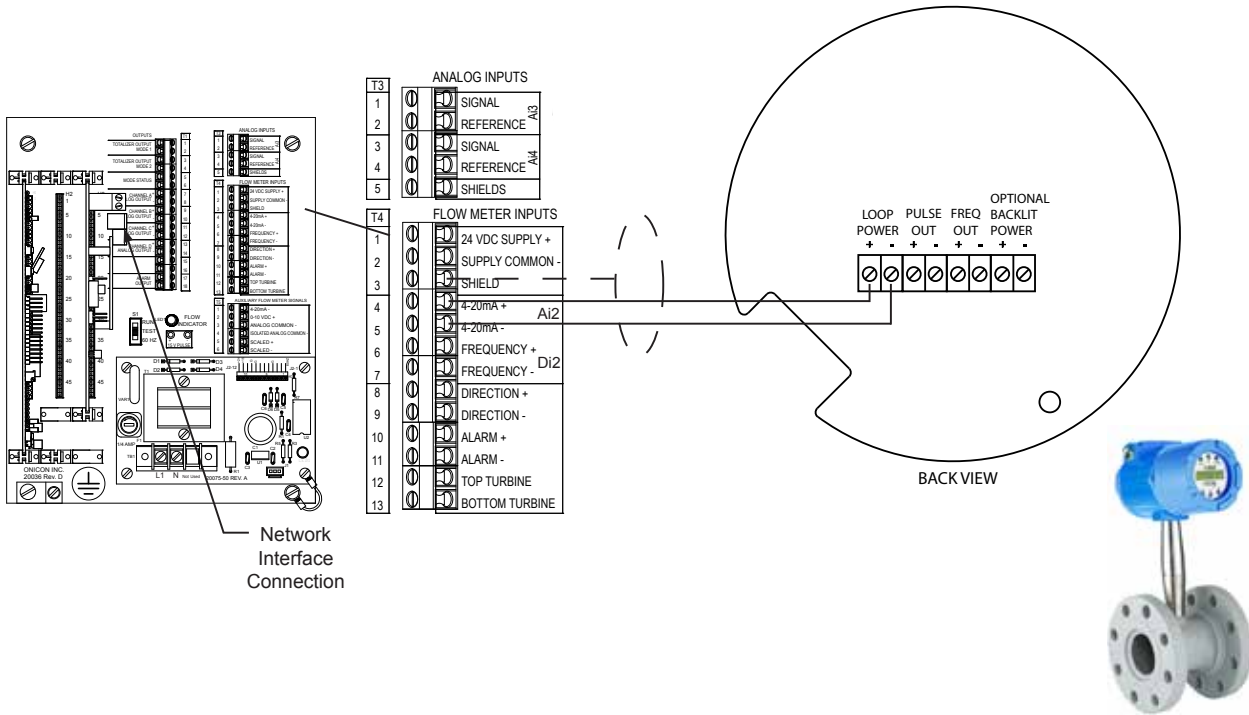


#### CAUTION

Shield and earth connections are required for proper operation. Failure to use shielded cable or to connect earth to both the flow meter and D-100 may result in erratic operation. Shields should be terminated at the D-100 shield terminals and left unterminated at the flow meter.

### 3.3.1.5 ONICON F-2600 & F-2700 Flow Meters

#### F-2600 / F-2700 Flow Meter Connections



#### CAUTION

Shield and earth connections are required for proper operation. Failure to use shielded cable or to connect earth to both the flow meter and D-100 may result in erratic operation. Shields should be terminated at the D-100 shield terminals and left unterminated at the flow meter.



### 3.3.1.6 ONICON F-4200 Flow Meters



**WARNING**

Turn off mains power at the source prior to making power connections to the F-4000. Contact with exposed live wiring may result in electric shock, burns and/or serious injury.

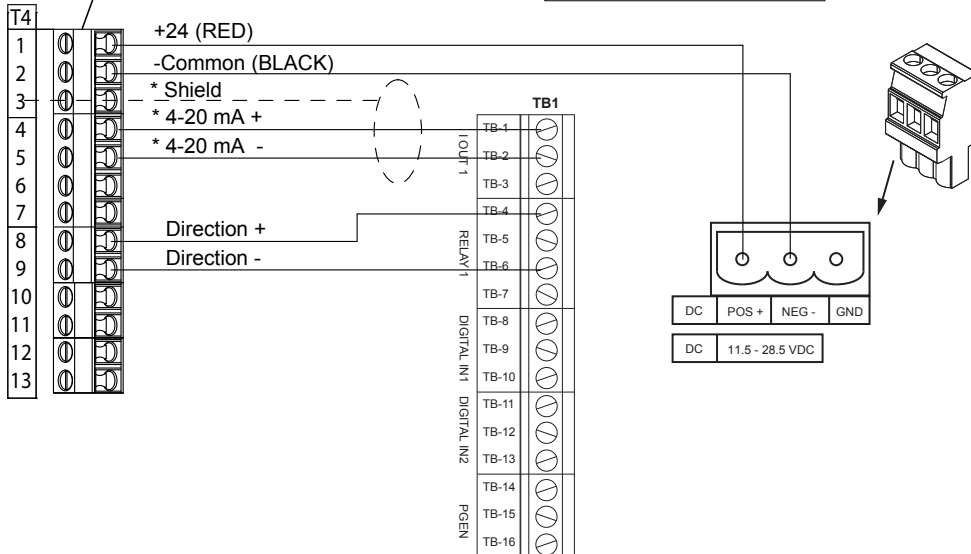
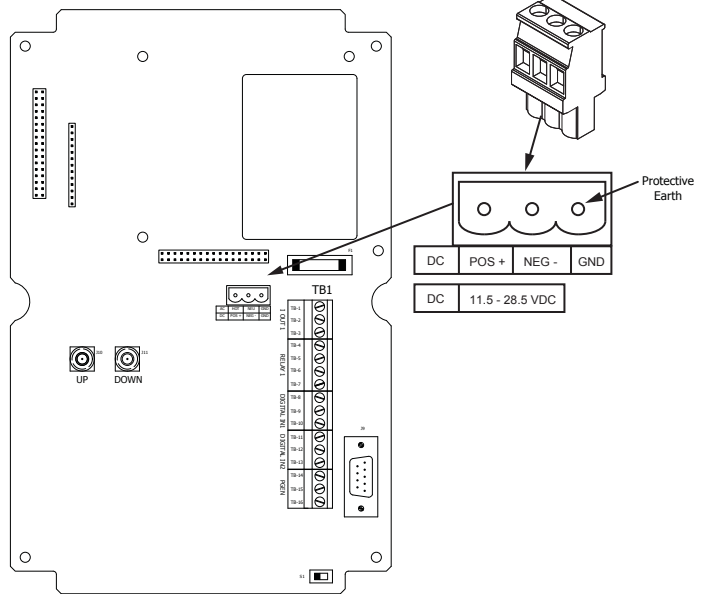
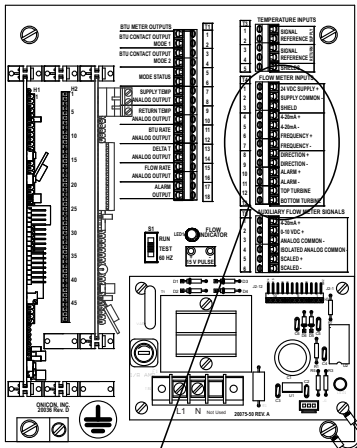
### Flow Meter Connections

**D-100**

**F-4200**



**IMPORTANT NOTE**  
DC powered version of the F-4200



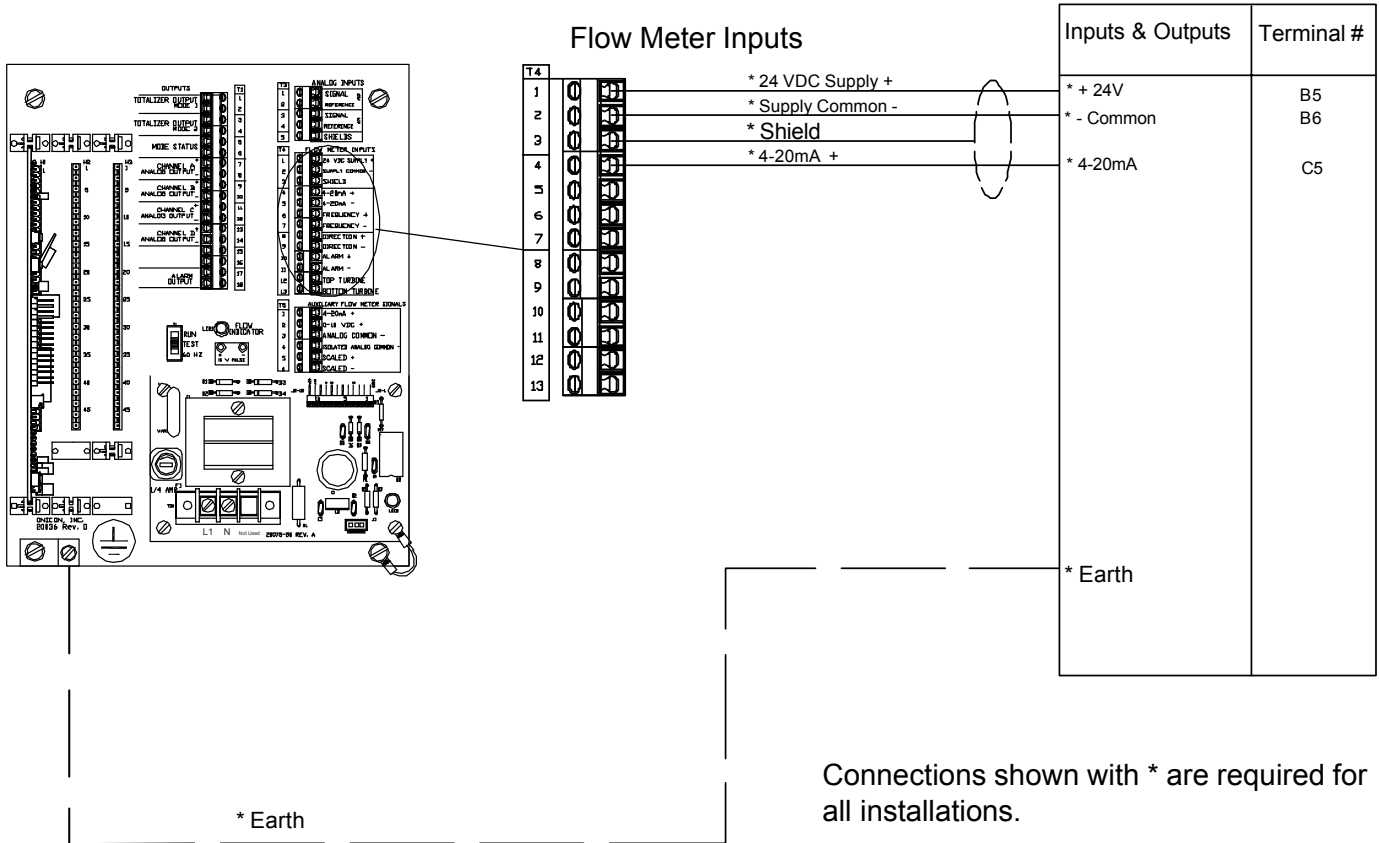
**CAUTION**

Shield and earth connections are required for proper operation. Failure to use shielded cable or to connect earth to both the flow meter and D-100 may result in erratic operation. Shields should be terminated at the D-100 shield terminals and left unterminated at the flow meter.



### 3.3.1.7 ONICON F-5100 Series Flow Meters

#### F-5100 Flow Meter Connections



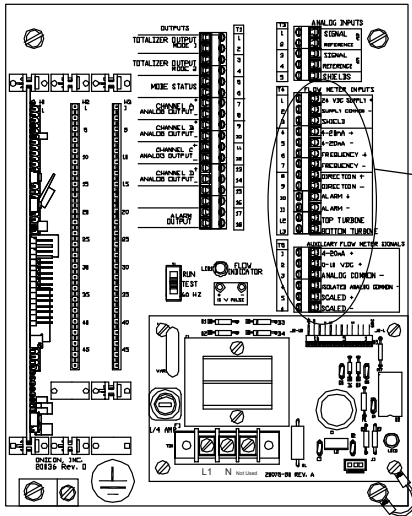
#### CAUTION

Shield and earth connections are required for proper operation. Failure to use shielded cable or to connect earth to both the flow meter and D-100 may result in erratic operation. Shields should be terminated at the D-100 shield terminals and left unterminated at the flow meter.

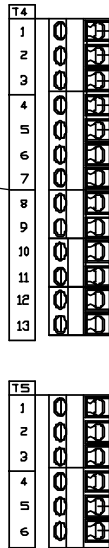


### 3.3.1.8 ONICON F-5200 Series Flow Meters

#### F-5200 Flow Meter Factory Installed Cable



#### Flow Meter Inputs



- \* 24 VDC Supply + (Red)
- \* Supply Common - (Black)
- \* Shield
- \* 4-20mA + (Blue)
- \* 4-20mA - (Brown)

- Scaled + (White)
- Scaled - (Orange)

Connections shown with \* are required for all models

Connections shown are for flow meter output signals not used by the display. Both incoming and outgoing connections are made to the same terminal.



#### CAUTION

Shield connections are required for proper operation. Failure to use shielded cable or to properly terminate shield connections may result in erratic operation. Shields should be terminated in the D-100 at the terminals provided. The shield connection at the flow meter should be left unterminated.

### 3.3.2 Frequency / Pulse Flow Input (Di2)

The D-100 is provided with a separate input for frequency or scaled pulse flow signals, (T4, terminals 6 and 7). This input can be configured to accept an active, positive going pulse (5-24 VDC) output signal, an open collector output signal or a contact closure (dry contact) output. The maximum input frequency is 500 Hz. Contact ONICON for technical assistance in configuring and programming this input. When this flow input is used the display menu pages will indicate Di2 on the rate and total(s) pages.

### 3.3.3 Analog Flow Input (Ai2)

The D-100 is provided with a separate input for analog flow signals (T4 terminals 4 and 5). This input can be configured to accept active or passive (loop powered) 4-20 mA signals. Contact ONICON for technical assistance in configuring and programming this input. When this flow input is used the display menu pages will indicate Ai2 on the rate and total(s) pages.

### 3.3.4 Directional Contacts

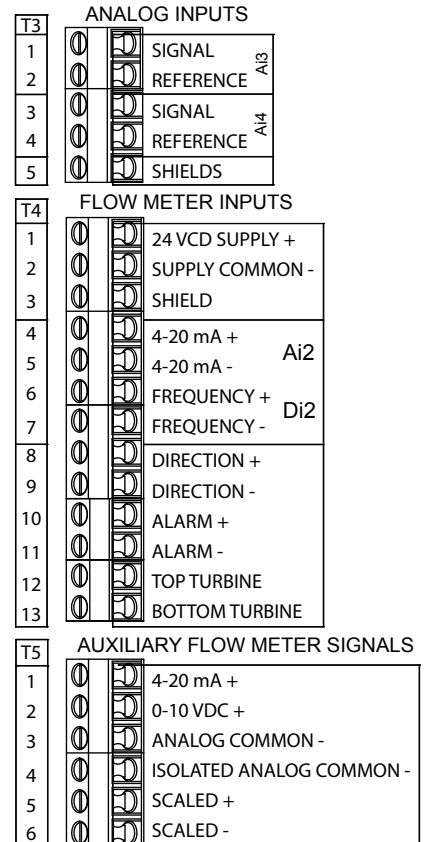
The D-100 is provided with a separate input for determining flow direction. Connections for this input are made at T4 terminals 8 (+) and 9 (-). This input can be connected to a non-polarized contact closure relay or an open connector output. Note that the input is polarized for sinking (NPN) open collector outputs. Totals will accumulate in the (+) Mode 1 registers whenever the contacts are closed.

### 3.3.5 Ai3 and Ai4 Analog Inputs

The D-100 can be provided with two optional analog inputs capable of powering any standard 4-20mA loop powered sensor. The inputs can also be configured from the factory to accept an active (powered) 4-20mA signal. Rate data from the two sensors is available via the network interface and the analog 4-20mA signals can be replicated via the optional multi-analog output board. Analog input Ai3 is connected to T3 terminals 1 (+) and 2 (-). Analog input Ai4 is connected to T3 terminals 3 (+) and 4 (-). Do not exceed 4.5 in-lb (0.5 Nm) of torque, when tightening the terminals.

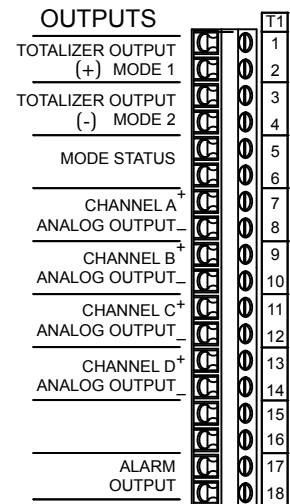
### 3.3.6 Digital Pulse Input (Di3)

The D-100 can be provided with an optional digital pulse input. This option is only available on displays provided with serial communications. It allows the D-100 to receive a pulse input from an external device such as a power meter or gas meter. The pulses are totalized in an internal register and are available via the serial communications network. This register can be zeroed on demand via the front panel or over the network. When this pulse input is used the display menu page will indicate Di3 on the total page. Contact ONICON for more information.



### 3.3.7 Totalizer Outputs and Mode Status

For unidirectional flow applications, the output relay for flow total is located on the mother board at T1, terminals 1 and (+) 2 mode 1. The value of each “closure” is listed on the configuration data sheet and is the same as the flow total multiplier displayed on the LCD (example: each closure = 100 Gallons). This information is also included on a label inside the D-100. For bi-directional flow applications, connections for the (+) mode 1 flow total output relay are at T1 terminals 1 and 2. The (-) mode 2 flow total output relay connections are at T1 terminals 3 and 4. Flow direction is indicated by the mode status output (T1 pins 5 and 6). The table below describes the relationship between (+) mode 1 and (-) mode 2 totals and forward and reverse flow for ONICON insertion turbine and inline electromagnetic flow meters. Do not exceed 4.5 in-lb (0.5 Nm) of torque, when tightening the terminals.



Flow Meter Model	Flow Direction Relative to Direction Arrow on Meter	Flow Meter Output Condition	D-100 Mode Status Indicator (T1 - Pins 5 & 6)	D-100 Register Accumulating Totals
FB-1200 Series	Flow in the direction of arrow	Closed contact	Open contact	+ Mode 1
FB-1200 Series	Flow reverse from direction arrow	Open contact	Closed contact	- Mode 2
F-3000 Series	Flow toward (+) sign	Not energized (open)	Closed contact	- Mode 2
F-3000 Series	Flow toward (-) sign	Energized (closed)	Open contact	+ Mode 1
F-4000 Series	Flow forward (-) sign	Energized (closed)	Open contact	+ Mode 1
F-4000 Series	Flow forward (-) sign	Not Energized (open)	Closed contact	- Mode 2

### 3.3.8 Isolated Analog Outputs

The D-100 can be configured to provide up to four isolated analog outputs. These outputs can be used to replicate the incoming analog signals. The output signal type can be 4-20 mA, 0-10 VDC or 0-5 VDC and is field configurable. Contact ONICON for assistance in reconfiguring or reprogramming the analog inputs. See the configuration data sheet provided or the label located inside the D-100 for output specific configuration information. Analog output signal connections are made at T1 terminals 7 through 14. Do not exceed 4.5 in-lb (0.5 Nm) of torque, when tightening the terminals.

### 3.3.9 Input Power

The D-100 can be ordered from the factory with input voltages of 24VAC 50/60Hz, 120 VAC 50/60 Hz or 240 VAC 50 Hz. Please note that these are not field selectable options. Confirm that the correct input voltage configuration has been provided prior to making any connections.



#### WARNING

Conduit openings in the D-100 enclosure must be closed with UL listed fittings applicable to NEMA 13 enclosures, and mains voltage connections must be made through the pre-drilled conduit/strain relief opening located at the bottom of the enclosure. Failure to do so will result in an increased risk of injury.



#### WARNING / CAUTION

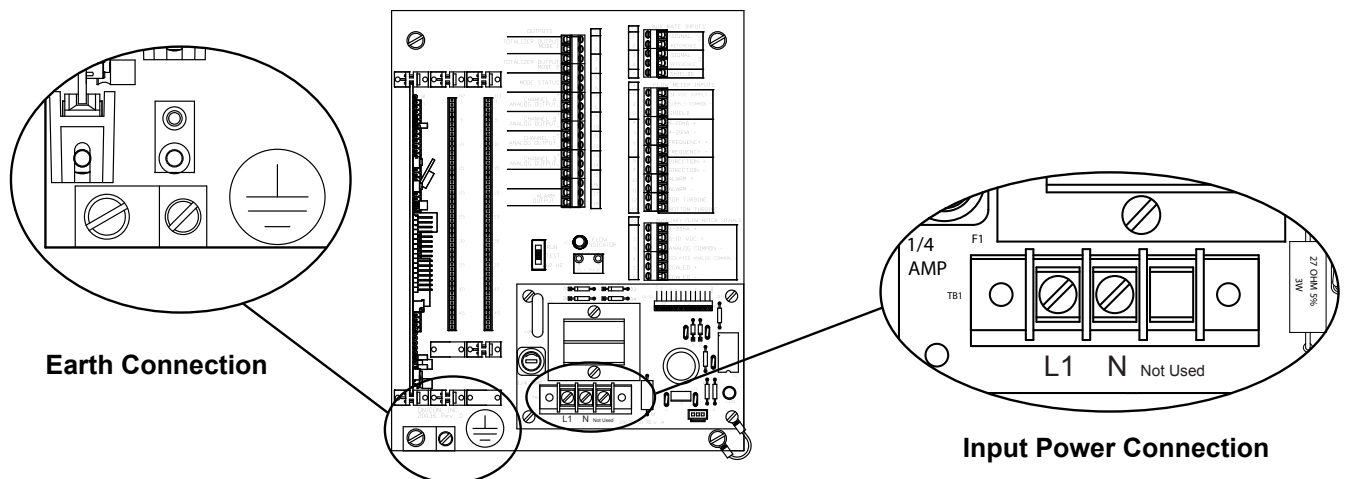
The protective earth connection must be made as shown. Failure to do so will result in an increased risk of injury and erratic operation.

Connect the power source to the D-100 through the conduit opening located on the bottom of the enclosure. Attach the wires to the appropriate screw terminals as shown. Connect the protective earth wire to the earth lug shown. Do not exceed 13 in-lb (1.5 Nm) of torque when tightening.

As power is initially applied to the D-100, immediately confirm that the “power” light is illuminated and the display is scrolling through the character diagnostic test. The test will begin by indicating the letter P in every position followed by a countdown from 9 to 0 for each digit. If this does not occur, disconnect power immediately and re-verify all wiring connections. Contact ONICON if the problem persists.

#### Operating from 120 or 240 VAC mains power

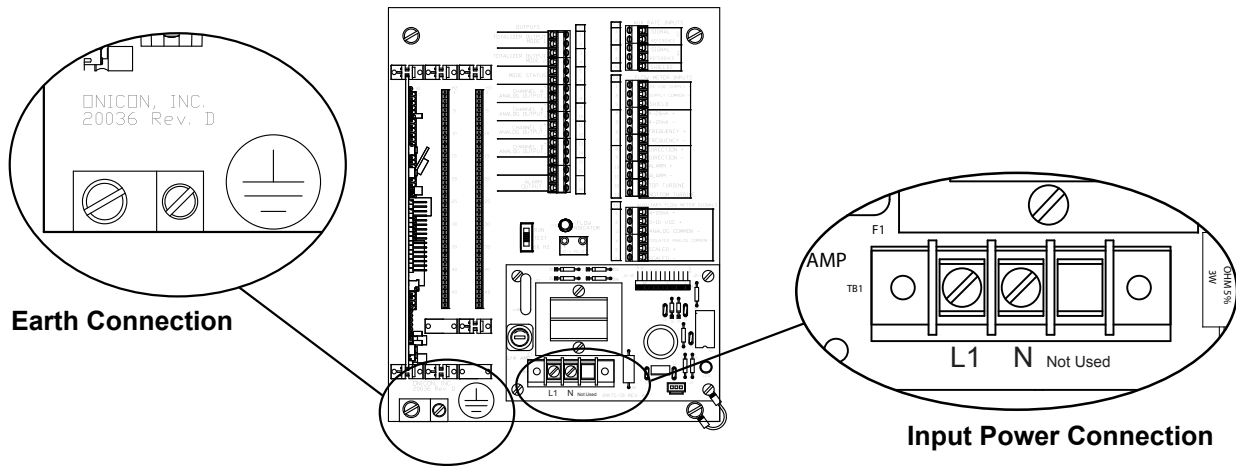
Utilize an electrically clean power line, free of electrical noise and protected from high voltage spikes, power surges, and brownouts. The power source should be a separate line with its own circuit protection device. Refer to Section 1.3 of this manual for the appropriate overcurrent device ratings. Use a 3-wire service in which one wire is a protective earth ground.



## Operating from 24 VAC power

The D-100 can be factory configured to operate from 24  $\pm$ 4 V 50/60 Hz power. Be sure to connect a separate protective earth wire to the protective earth lug provided and shown below.

Do not exceed 13 in-lb (1.5 Nm) of torque when tightening.



## SECTION 4.0: D-100 START-UP AND COMMISSIONING

### 4.1 DISPLAY AND KEYPAD

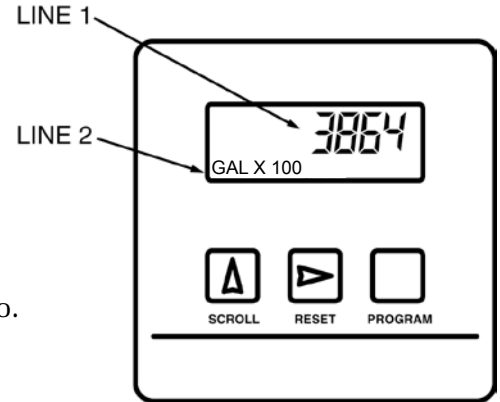
The display contains two lines of alphanumeric characters. The first line displays the numerical value of the quantity described by the second line of the display. The second line contains the engineering units and a multiplier, which can range from 1 to 1,000,000. The multiplier is the value which the number on the top line must be multiplied by to achieve the correct value.

Three membrane keys are provided to operate the display and program the meter.

When operating in the RUN mode, the SCROLL button advances the display from one page to the next. A total of up to eight different pages may be available for display depending on whether the flow meter is unidirectional or bi-directional.

The RESET button, if enabled, allows totals to be reset to zero.

The PROGRAM button is not active when operating in the RUN mode.



### 4.2 PROCESSOR START-UP

When power is applied to the display, alphanumeric characters appear on the two lines of the display indicating the display is operating. Press and release the SCROLL button on the front panel. Observe the display cycle to the next page.

Successively pressing the SCROLL button will cycle the display through the run mode pages summarized in the tables below.

Select the FLOW RATE page. Note the displayed flow rate. Confirm that the flow rate value is in the correct range.

#### Unidirectional Flow

Page No.	Display Name	Selectable Units
1	Flow Total Ai2/Di2	Gal, Liter, M <sup>3</sup> , lb mass, kg mass, Ft <sup>3</sup> , SCF, NCM
2	Flow Rate Ai2/Di2	GPM, GPH, MGD, l/s, l/min, l/hr, M <sup>3</sup> /hr, Ft <sup>3</sup> /m, lb/hr, kg/hr, SCFH, SCFM, NCMH
3	Analog Input Ai3	DEG F, DEG C, PSI, BAR, KPASCL, GPM, L/S, M3/H, CFS, CFM, KBTU/H, KW, TON, %RH, SCFM, SCFH, NCMH, None
4	Analog Input Ai4	DEG F, DEG C, PSI, BAR, KPASCL, GPM, L/S, M3/H, CFS, CFM, KBTU/H, KW, TON, %RH, SCFM, SCFH, NCMH, None
5	Digital Input Di3	PULSE COUNT ONLY (Engineering units entered as text)
6	Alarm Status	None
7	Serial Number	None

## Bi-directional Flow

Page No.	Display Name	Selectable Units
1	(+) Mode 1 Total	Gal, Liter, M <sup>3</sup> , Ft <sup>3</sup> , lb mass, kg mass, SCF, NCM
2	(-) Mode 2 Total	Gal, Liter, M <sup>3</sup> , Ft <sup>3</sup> , lb mass, kg mass, SCF, NCM
3	Flow Rate Ai2/Di2	GPM, GPH, MGD, l/s, l/min, l/hr, M <sup>3</sup> /hr, Ft <sup>3</sup> /m, lb/hr, kg/hr, SCFH, SCFM, NCMH
4	Analog Input Ai3	DEG F, DEG C, PSI, BAR, KPASCL, GPM, L/S, M3/H, CFS, CFM, KBTU/H, KW, TON, %RH, SCFM, SCFH, NCMH, None
5	Analog Input Ai4	DEG F, DEG C, PSI, BAR, KPASCL, GPM, L/S, M3/H, CFS, CFM, KBTU/H, KW, TON, %RH, SCFM, SCFH, NCMH, None
6	Digital Input Di3	PULSE COUNT ONLY (Engineering units entered as text)
7	Alarm Status	None
8	Serial Number	None

### 4.3 UNITS AND MULTIPLIERS

The operating mode, engineering units and multipliers are programmed into the D-100 at the factory. These settings may be re-programmed in the field. Please contact ONICON for assistance if changes are required.

### 4.4 ANALOG OUTPUTS

The D-100 is capable of providing up to four analog outputs (optional). Changing any of the displayed units or multipliers will affect the analog outputs. If any unit or multiplier values are changed at the D-100, the analog output value(s) will also be changed. If you are unsure of the ramifications of any changes you are contemplating, please contact ONICON for assistance.

### 4.5 ENABLING / DISABLING FRONT PANEL RESET

The table below explains how to enable or disable the FRONT PANEL RESET.

STEP	ACTION	REACTION	COMMENT
1	With the display running, open the front panel and locate DEV ADD/ PROG ENAB. Press DEV ADD/ PROG ENAB and then release it.	None	DEV ADD/PROG ENAB is located in the lower left corner of the processor board. (see appendix page A-2.)
2	Close the front panel.		
3	Press the PROGRAM button. (If you do not press the PROGRAM button, the meter will revert to the run mode after five minutes.)	The display changes to program mode and the DEVICE ID page will appear with the first digit of the address flashing.	The PROGRAM button is on the front panel.
4	Press the PROGRAM button.	The FRONT PANEL RESET page appears with the N or Y flashing.	
5	Press the SCROLL button.	The setting will toggle between N and Y.	Enable or disable the FRONT PANEL RESET as necessary.
6	Press the PROGRAM button.	The SAVE CHANGES page appears with the N flashing.	The new FRONT PANEL RESET setting must be saved to take effect.
7	Press the SCROLL button.	The N changes to Y.	The Y must be selected for the change to take effect.
8	Press the PROGRAM button.	The new setting is saved and the display reverts to the run mode.	

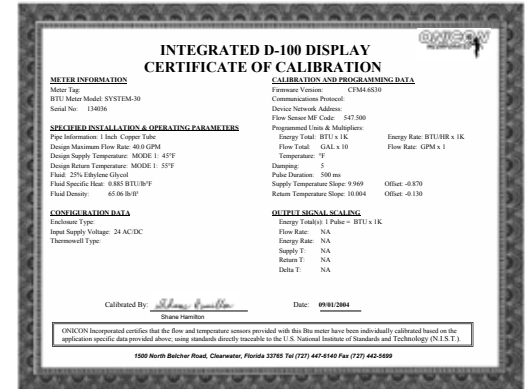


## 4.6 COMMISSIONING

Upon initial installation, it is strongly recommended that both the D-100 and its associated flow meter be commissioned to ensure that they are properly installed and functioning correctly. This process involves verifying the mechanical installation, measuring flow signals and then comparing these measurements to the specified installation and operating parameters listed on the certificate of calibration provided with the display. The data collected during this initial commissioning process will then serve as baseline data for periodic revalidation of the meter operation.

### COMMISSIONING PROCEDURE

Please read all installation instructions carefully before proceeding. Wiring diagrams are located in this manual. Use the display Certificate of Calibration to verify that the specified installation & operating parameters match the actual conditions at the location where the display is installed. A worksheet for checking these steps and recording measured values is located on the following page.



1.	Confirm that the D-100 is being installed with the correct flow meter and any optional sensors.	Check the label inside the front cover of the D-100 and confirm that the serial numbers match the serial numbers of the flow meter and any optional sensors being used.
2.	Confirm that the D-100 is being installed in accordance with Sections 1.5 and 3.1 of this manual.	Confirm that the installation location is not in direct sunlight and is removed from sources of strong electrical interference. The display should be mounted on a vibration-free surface where it will be protected against spraying, splashing and the seepage of water.
3.	Confirm the pipe diameter and pipe material.	Confirm that the flow meter is tagged for the pipe diameter and material in which it is to be installed and that this information matches the information provided on the display certificate of calibration. When in doubt, measure the circumference of the pipe.  Pipe O.D. = (circumference / 3.14) – (insulation thickness x 2)
4.	Confirm that the flow meter installation conforms to the requirements specified in the flow meter installation manual.	Verify that the flow meter is installed in a location with enough straight unobstructed run upstream and downstream of the pipe. Also verify that the flow meter is properly oriented with respect to flow direction, and for insertion meters ensure that the meter is installed to the correct insertion depth.
5.	Confirm that any optional sensors are properly installed.	Verify that any optional sensors connected to the D-100 are installed in accordance with the manufacturer's installation instructions. Also confirm that the sensor output matches the information shown on the D-100 C of C.
6.	Confirm that the correct supply voltage has been provided.	Verify and measure the AC input voltage to the display. Input voltages should be within the following ranges. 24VAC: 20 – 28VAC 24VAC when connected to an F-3500 and the D-100 is equipped with a multi-analog board: 21.6 – 28VAC 120VAC: 108 - 132 VAC 230VAC: 207 - 253 VAC
In order to proceed with the following steps, the display, flow meter and optional sensors must be operating and there must be flow in the pipes. Flow signal readings should be taken while holding the flow rate constant, if possible.		
7.	Select the flow rate page on the D-100 front panel display.	Scroll through the D-100 display pages and select the flow rate page. Verify that the engineering units and multiplier shown match those on the C of C.
8.	Note and record the flow reading.	Note the displayed flow rate and confirm that it is within the expected range. For D-100 displays connected to flow meters with integral displays, confirm that the flow readings shown on the two displays agree. Record the flow rates.

9.	For flow meters that provide a frequency output, measure and record output(s). Compare calculated vs. displayed flow rates.  (F-1200 or FB-1200 only). Confirm both turbines produce pulses	The average frequency output signal is a 0-15 VDC pulsed output ranging up to 200 Hz and must be measured with a frequency counter or oscilloscope. Measure DC Frequency (Hz) at T4 from terminal 6(+) to 7(-).  GPM = Frequency in Hz X 60 X Meter Factor in ppg (refer to calibration tag for meter factor)  For the F-1200 or FB-1200 Dual Turbine model, also measure and record the top and bottom turbine signals. Top Turbine: T4-12(+) to T4-2(-) Bottom Turbine: T4-13(+) to T4-2(-)  Also measure DC volts on same terminals. 5 to 7 VDC is normal for a spinning turbine, 0 or 14+ VDC indicates a stopped turbine. (1 to 4 VDC could indicate a problem.)
10.	Compare and record the displayed values with those shown on the building control system.	Scroll through the D-100 menu pages and confirm that the rate and total current values and engineering units shown agree with the information shown on the building control system display. Record the results.
End of standard commissioning. Please contact ONICON if any questions arise.		

### COMMISSIONING WORKSHEET

Please read all installation instructions carefully prior to proceeding with these steps. Wiring diagrams are located in this manual. Use the following worksheet for checking off the commissioning steps and recording measured values.

Step	Test/Measurement	D-100 S/N:	D-100 S/N:	D-100 S/N:
1.	Confirm and record serial number(s)	Flow meter: Sensor(s):	Flow meter: Sensor(s):	Flow meter: Sensor(s):
2.	Proper installation site selection (Y / N)			
3.	Record pipe diameter			
4.	Record number of unobstructed upstream/ downstream pipe diameters			
5.	Sensor(s) properly installed (Y / N)			
6.	Record supply voltages			
7.	Verify that engineering units & multipliers match (Y/N)			
8.	Record flow rate and total(s)	Flow rate: Mode 1 total: Mode 2 total:	Flow rate: Mode 1 total: Mode 2 total:	Flow rate: Mode 1 total: Mode 2 total:
9.	Record actual and calculated values	Actual: Calculated:	Actual: Calculated:	Actual: Calculated:
10.	Record displayed values	D-100:  System:	D-100:  System:	D-100:  System:

## SECTION 5.0: DIAGNOSTICS

### 5.1 DIAGNOSTICS

The ONICON D-100 display is programmable. Factory programmed settings provide rate and total values in accordance with the customer's application data. Refer to the D-100 calibration sheet for a complete listing of factory settings. These settings may be reviewed and changed with assistance from ONICON factory service personnel. The display is also equipped with diagnostic indicator lights and self diagnostic test signals that confirm the operation of the microprocessor and its input circuitry. Please contact the ONICON factory service personnel if any of the diagnostic lights or test signals listed below indicates a potential problem with the operation of the Btu meter.

#### 5.1.1 Diagnostic Lights

##### Low Voltage Power Supply

Located on the power supply board inside the System-10 BTU Meter (refer to page A-3), these two LEDs will be illuminated when the positive and negative five volt supplies are present.

##### Liquid Flow

Located just above the power supply on the motherboard (refer to page A-1) is the flow indicator LED. The LED will flash at a rate that is proportional to the liquid flow rate. An unlit LED indicates no flow signal.

#### 5.1.2 Flow Test Signals

Located on the right side of the motherboard (refer to A-1) immediately above the power supply board is a three position slide switch used to test the flow input. When the switch is in the top position, the input is connected to the flow meter. When the switch is in the middle position, the input is connected to two test terminals used to apply a variable frequency to simulate flow. When the switch is in the bottom position, the input is connected to a 50/60 Hz signal that simulates a fixed flow rate. Refer to the calibration certificate to determine the correct display reading when operating in the 50/60 Hz test mode.



#### IMPORTANT NOTE

The second line of the display will alternate between TEST MODE and the normal display of engineering units and multipliers whenever the flow test switch is in the TEST or 60 Hz positions.



#### IMPORTANT NOTE

After operating for five minutes in either the TEST or 60 Hz mode, the displayed flow and energy rate will be disabled, and the meter will report a zero flow rate and a zero energy rate to the network. The meter will remain in this state until the switch is set to RUN.

#### 5.1.3 Ai3 & Ai4 Test Signals

As you are facing the component side of the processor board, the Ai3/Ai4 Test push button is along the top edge of the board just to the left of the flat ribbon cable. It is labeled TEMP TEST. When pressed, a fixed current will be applied to each sensor input. Both Ai3 and Ai4 will produce an output equal to 37.5% of their programmed full scale output. This test confirms the operation of the D-100 processor board input circuitry for Ai3 and Ai4.

## 5.2 TROUBLESHOOTING GUIDE FOR D-100 DISPLAY

NOTE: Also refer to the COMMISSIONING GUIDE located on the preceding pages.

Reported Problem	Possible Solutions
Flow rate is indication zero flow. (When fluid is flowing in the pipe.)	<ul style="list-style-type: none"> <li>• Verify that the correct supply voltage is present at the flow meter power input.</li> <li>• Verify that the flow meter signal outputs are properly wired to the display.</li> <li>• For insertion meters, verify that the meter is correctly inserted and parallel with the pipe.</li> <li>• For turbine meters, verify that the turbines are not clogged with debris.</li> <li>• Re-confirm that there is really flow in the pipe.</li> </ul>
Displayed flow rate is too high or too low.	<ul style="list-style-type: none"> <li>• Verify that the serial number of the flow meter matches the serial number shown on the label inside the D-100 front cover.</li> <li>• Verify that the correct supply voltage is present at the flow meter power input.</li> <li>• Verify that the pipe diameter matches the diameter shown on the calibration certificate and on the flow meter tag.</li> <li>• For insertion meters, verify that the meter is correctly inserted and parallel with the pipe.</li> <li>• For turbine meters, verify that the turbines are not clogged with debris.</li> </ul>
Ai3 and/or Ai4 sensor values are too high or too low.	<ul style="list-style-type: none"> <li>• Verify that the sensor scaling matches that programmed values shown on the label inside the D-100 front cover and on the calibration certificate.</li> <li>• Confirm that the control system is correctly scaled.</li> </ul>
Data is not available at the control system.	<ul style="list-style-type: none"> <li>• Verify network addresses are properly programmed into the D-100.</li> <li>• If applicable, verify the Baud rate.</li> <li>• Check the polarity of the network connections.</li> </ul>

For technical assistance, contact ONICON Incorporated at (727) 447-6140.

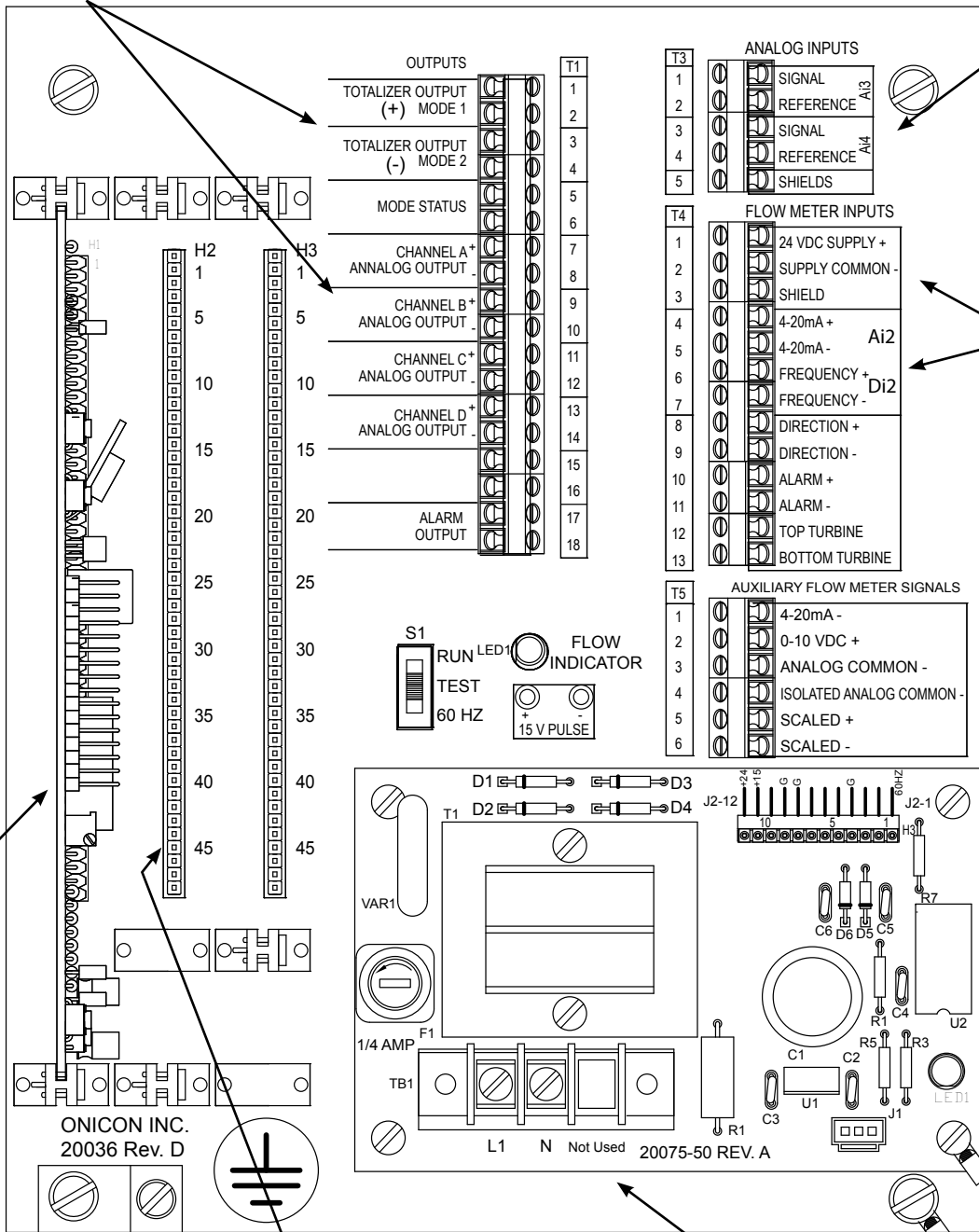
## APPENDIX

- A-1 D-100 DISPLAY MOTHER BOARD
- A-2 D-100 PROCESSOR BOARD
- A-3 D-100 POWER SUPPLY BOARD
- A-4 D-100 ANALOG OUTPUT BOARD
- A-5 D-100 ANALOG OUTPUT BOARD With 4 Analog Outputs
- A-6 CONDITIONS OF SALE

# D-100 DISPLAY MOTHER BOARD



## Pulse and analog output connections



Ai3 & Ai4 analog input connections

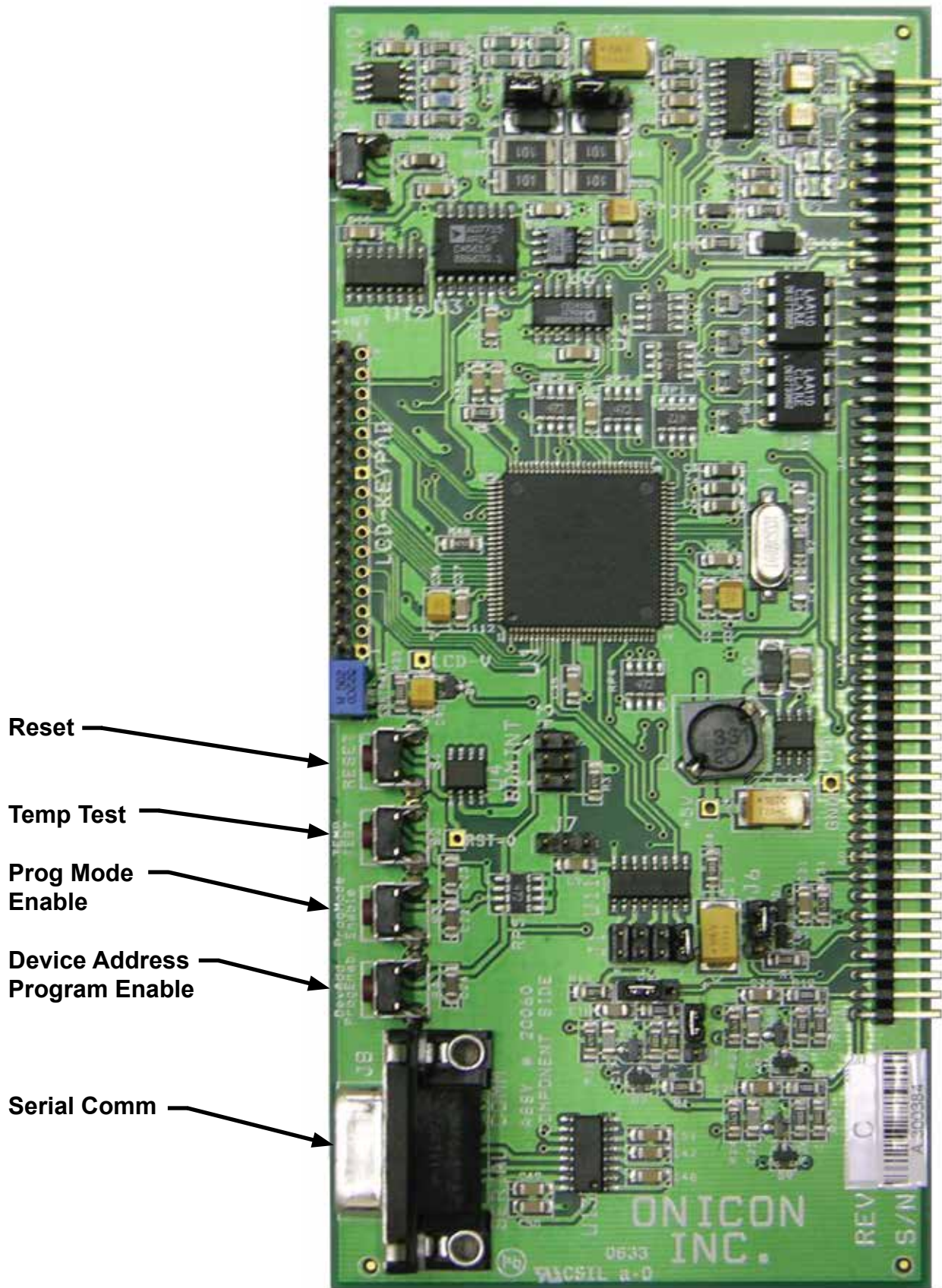
Ai2 / Di2 Flow meter connections

PROCESSOR BOARD

EXPANSION SLOTS FOR:  
 1. COMMUNICATIONS BOARD  
 2. ANALOG OUTPUT BOARD

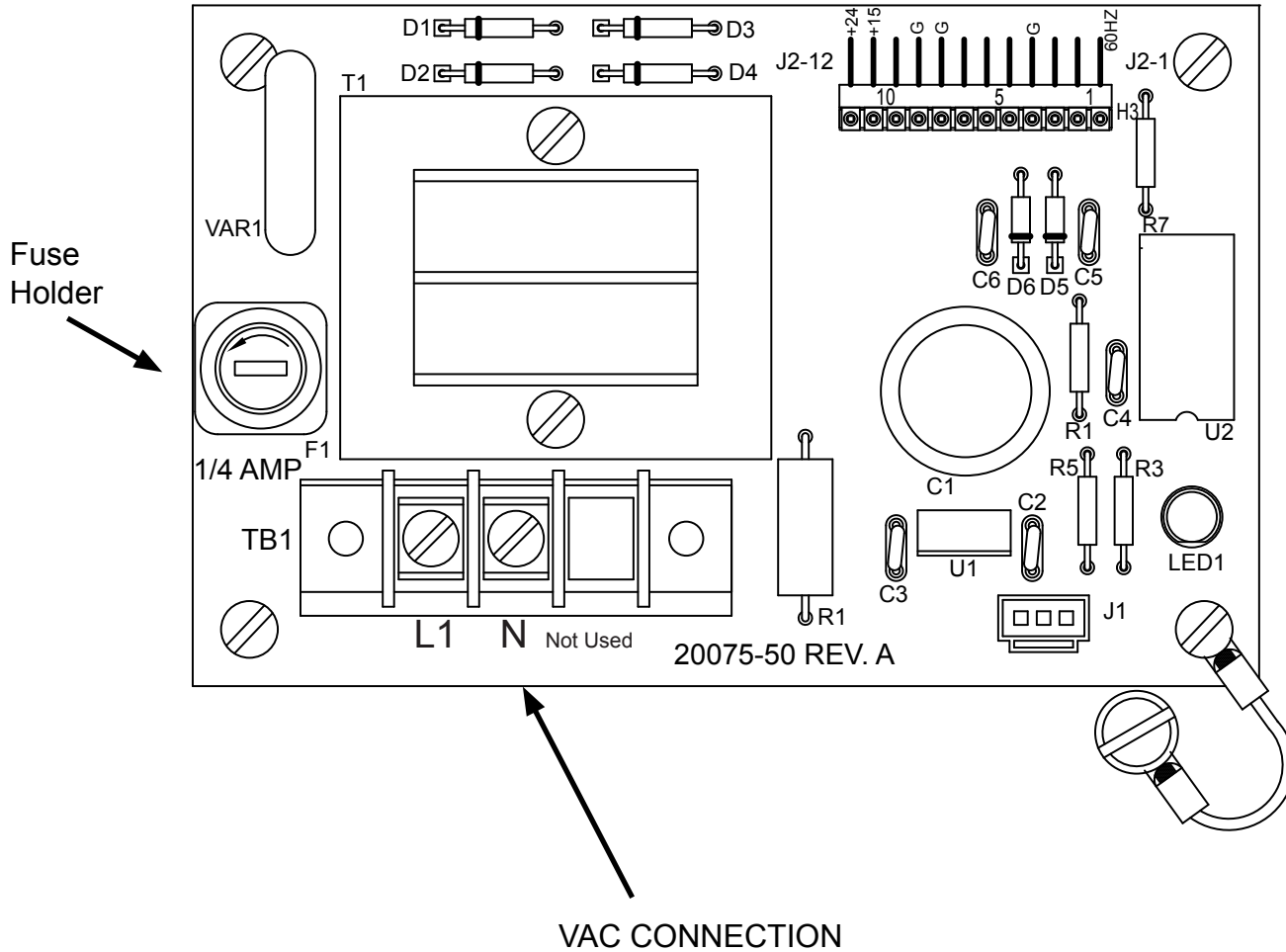
POWER SUPPLY  
 \*Standard: 24 VAC  
 Optional: 120 or 230 VAC

# D-100 FLOW DISPLAY PROCESSOR BOARD



- Reset
- Temp Test
- Prog Mode Enable
- Device Address Program Enable
- Serial Comm

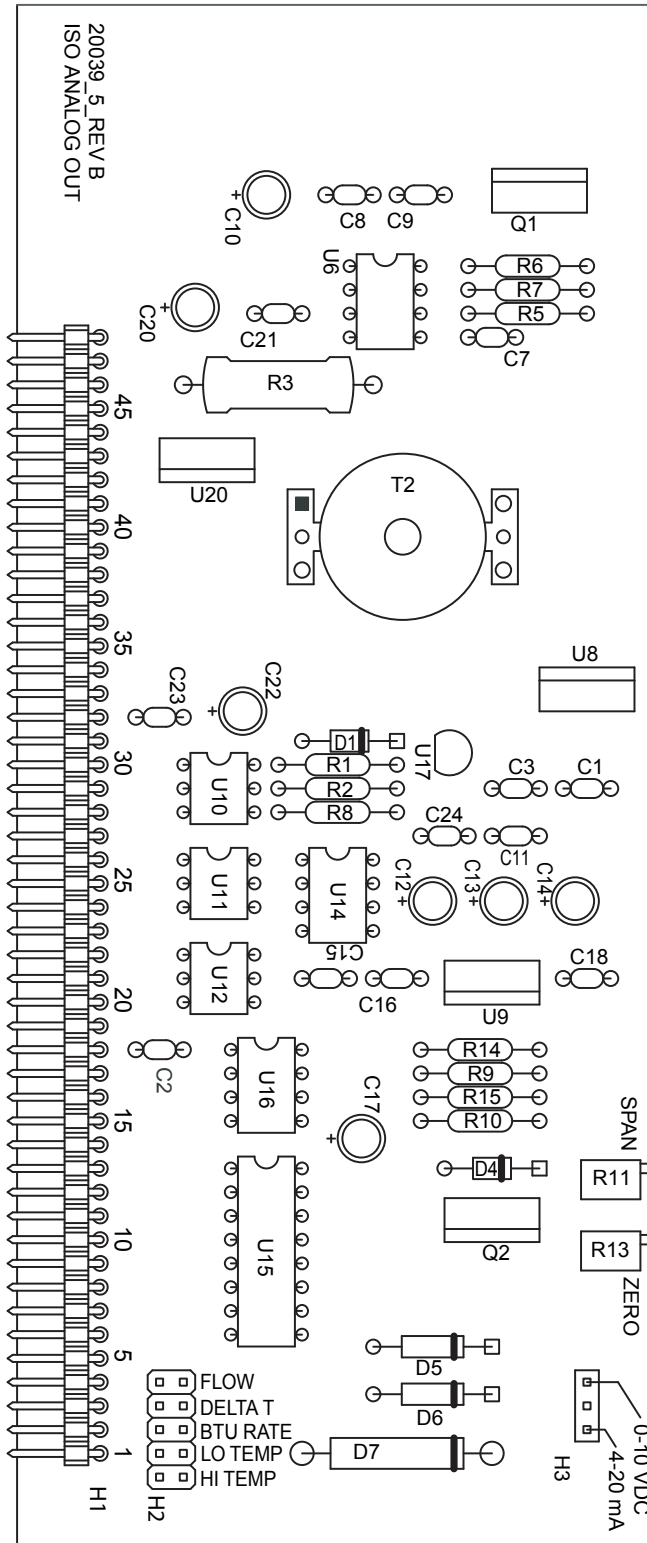
# D-100 POWER SUPPLY BOARD



FUSES		
24 VAC	120 VAC	230 VAC
3AG	3AG	3AG
1 AMP	1/4 AMP	1/8 AMP
250 VOLT	250 VOLT	250 VOLT
SLO-BLO	SLO-BLO	SLO-BLO

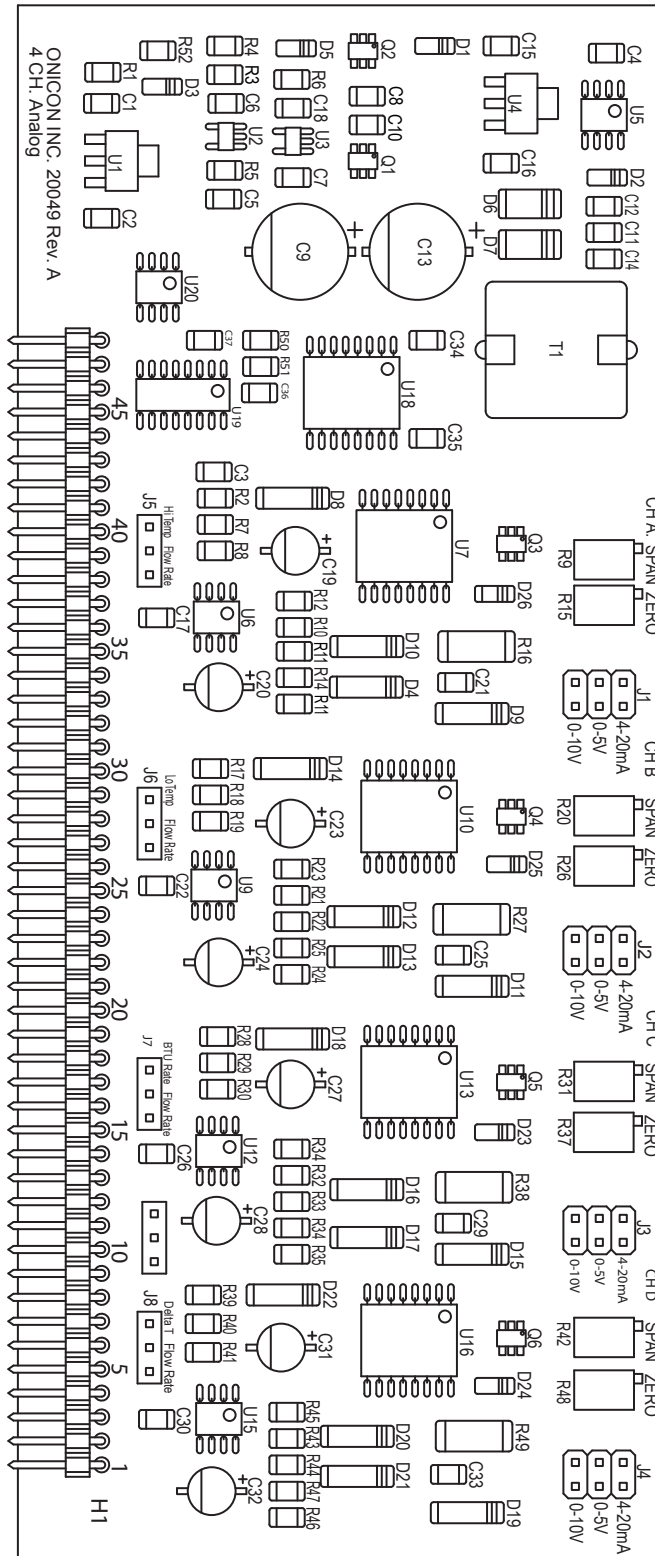


# D-100 ANALOG OUTPUT BOARD



# D-100 ANALOG OUTPUT BOARD

## with 4 analog outputs



# CONDITIONS OF SALE

1. **ACCEPTANCE:** The following Conditions of Sale apply to all sales of ONICON's products. These provisions shall apply even if ONICON fails to object to provisions appearing on, incorporated by, referenced in, or attached to Buyer's purchase order form. Buyer's acceptance of delivery of ONICON's products constitutes its acceptance of these Conditions of Sale.
2. **DELIVERY AND TITLE:** All product shipments are Ex Works and title passes to the Buyer at the time ONICON delivers the merchandise to the carrier. Risk of loss or damage to the product passes to the Buyer at the time ONICON delivers the product to the carrier. The Buyer immediately upon receipt should inspect all shipments, and should there be any evidence of damage or loss in transit, Buyer must file claims or tracers upon carrier. ONICON will assist in tracing shipments upon request.
3. **LIMITED WARRANTY:** ONICON warrants that for a period of two (2) years following the date of original shipment of an ONICON product: (i) the product will conform to ONICON's standard written specifications applicable to such product in effect on the date of Buyer's order, or as modified by ONICON's quotation or Buyer's purchase order accepted by ONICON, (ii) the product will be free from defects in workmanship, and (iii) that ONICON has title to the product prior to shipment to the Buyer; provided, however, that the warranties provided herein shall be void and may not apply in the event Buyer misuses or damages a product, including, but not limited to, any use by the Buyer of a product for an application other than one of a type approved by ONICON. ONICON's sole liability and Buyer's sole remedy for any breach of the foregoing warranty is for ONICON to repair or replace, at ONICON's option, any defective product that is returned to ONICON during the warranty period. EXCEPT AS MAY BE SPECIFICALLY AGREED BY ONICON IN WRITING IN RELATION TO EACH SALE, NO OTHER WARRANTIES SHALL APPLY, WHETHER EXPRESSED, IMPLIED OR STATUTORY, AND THERE SHALL BE NO IMPLIED WARRANTIES OF MERCHANTABILITY AND FITNESS FOR A PARTICULAR PURPOSE.
4. **REMEDIES:** ONICON's OBLIGATION UNDER THE FOREGOING WARRANTIES IS LIMITED SOLELY TO REPAIR OR REPLACEMENT, AT ONICON'S OPTION, OF DEFECTIVE OR NONCONFORMING PRODUCTS. ONICON SHALL NOT BE LIABLE FOR CONSEQUENTIAL, INDIRECT, PUNITIVE, INCIDENTAL, OR SPECIAL DAMAGES WHETHER FOUND ON CONTRACT, TORT OR ANY OTHER THEORY OF LAW. No products shall be returned to ONICON without its prior consent and transportation and insurance costs shall be prepaid. Any repair or replacement of ONICON's products under the foregoing warranty will be at no charge to the Buyer provided such repair is done at the ONICON factory or authorized service center. ONICON products that are repaired or replaced under this warranty will be returned to Buyer via the same method of shipment used to return the product to ONICON. Repair or replacement of ONICON products is conditioned upon ONICON's acknowledgement of any alleged defect or nonconformance during the warranty period and issuance of a Return Authorization number. All product returns must reference the Return Authorization number on the outside of the shipping carton and on any paperwork referencing the return.
5. **PRICES AND PAYMENT TERMS:** The prices set forth in the most recent quote or acknowledgement as applicable, supersede all previous prices or quotations. All quotations are subject to change or withdrawal without notice except as may be specifically noted on the face of the quotation. The prices shown do not include sales, excise or government charges payable by ONICON to Federal, State, or local authority. Any such tax or charge now or hereafter imposed upon the sale or shipment of the products under this contract will be added to the purchase price. Buyer agrees to reimburse ONICON for such tax or charge or provide ONICON with an acceptable exemption certificate. Payment of invoices will be due 30 days from the date of shipment of the products contained therein. In the event that payment of an invoice is not received by the invoice due date, ONICON will assess a late fee not to exceed 1.5% per month or 18% per year, or the maximum allowable by law whichever is lower.
6. **CANCELLATION:** Buyer may cancel its order, or any part of it, by sending written notice of cancellation to ONICON and paying a reasonable cancellation fee as determined by ONICON. The reasonable cancellation fee will reflect, among other factors, the expenses already incurred and commitments made by ONICON, sales and administrative costs and profit as determined by ONICON. If Buyer received a reduced price based on the quantity of products ordered, but has not purchased the applicable quantity at the time of cancellation, Buyer will pay the price it would have paid had ONICON's sale price been based on the quantity actually purchased.
7. **CHANGES:** If Buyer makes any changes in its drawings, designs, or specifications applicable in any contract with ONICON that cause an increase or decrease in the cost of performance of the contract, or if such changes result in rework or obsolescence, an equitable adjustment shall be made to the contract. Such changes are subject to ONICON's prior written consent.
8. **EXCUSABLE DELAY:** ONICON shall under no circumstance be responsible for failure to fill any order or orders when due to: fires, floods, riots, strikes, freight embargoes or transportation delays, shortage of labor, inability to secure fuel, material supplies, or power at current price or on account of shortages thereof, acts of God or of the public enemy, any existing or future laws or acts of the Federal or State Government (including specifically, but not exclusively, and orders, rules or regulations issued by any official or agency of any such government) affecting the conduct of ONICON's business with which ONICON in its judgment and discretion deems it advisable to comply as a legal or patriotic duty, or due to any cause beyond ONICON's reasonable control.
9. **PATENTS:** ONICON shall defend all suits or proceedings brought against Buyer or its customers arising from claimed infringements of any patent, trademark, service mark or copyright for any product furnished by ONICON and shall indemnify it against all costs, fees, and damages on the condition Buyer promptly notifies ONICON in writing and provides information and assistance to enable ONICON to conduct the defense, provided that ONICON shall have no such obligation in case of infringement resulting from ONICON's conformance to special requirements of Buyer. If ONICON is not able to settle any such suit or proceeding on acceptable terms, ONICON may, at its option, require return of the infringing product and refund the purchase price to Buyer less a reasonable allowance for depreciation or use.
10. **FAIR LABOR STANDARDS ACT:** ONICON represents that all products delivered under this contract are furnished in accordance with the applicable provisions of the Fair Labor Standards Act as amended.
11. **APPLICABLE LAW:** This document and any resulting contract shall be governed by and construed in accordance with the laws of the State of Florida. The courts of the State of Florida and the federal courts located in Florida shall have jurisdiction and venue with respect to litigation to this contract. In the event of litigation, the prevailing party shall be entitled to recover attorney's fees and costs from the non-prevailing party, including appellate attorney's fees.
12. **MODIFICATIONS:** These Conditions of Sale along with the prices, quantities, delivery schedules and other provisions and instructions in applicable quotations by ONICON or Buyer's purchase orders accepted by ONICON shall constitute the entire agreement between ONICON and Buyer pertaining to any resulting contract. They can be modified only in writing.