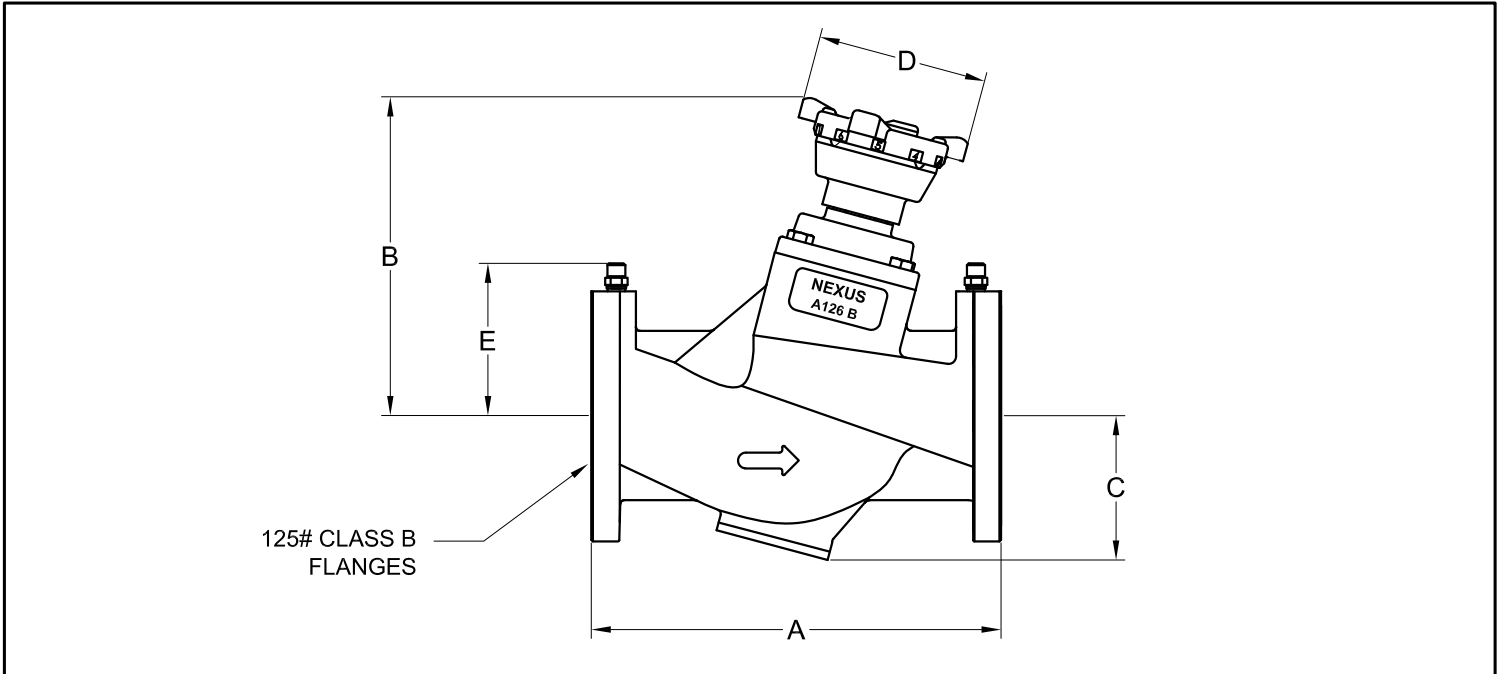


UltraMB™ Model MBF

Manual Flow Control Valve

(2½" thru 6")



DIMENSIONS [inches]						
SIZE [inches]	A	B	C	D	E	WT. [lbs]
2½	11.42	9.06	3.90	5.12	4.65	38.9
3	12.20	9.53	4.25	5.12	5.00	43.3
4	13.98	11.02	4.88	5.12	3.66	63.4
5	15.87	15.35	5.83	7.87	6.58	83.2
6	19.13	16.34	6.77	7.87	7.52	146.7

FLOW RATE RECOMMENDATION GUIDE			
SIZE [inches]	IDEAL FLOW RANGES [GPM]		Handwheel Turns
	Min.	Max.	Max. (functional)
2½	4	150	4
3	4	200	6
4	8	300	6
5	5	300	12
6	20	1000	15

BASIC INSTALLATION NOTES

- CAN BE ROTATED ±90° IN-LINE (HANDWHEEL ON TOP POSITION)
- CAN BE MOUNTED HORIZONTALLY OR VERTICALLY
- REQUIRES A MINIMUM OF 5 STRAIGHT PIPE DIAMETERS UPSTREAM
- REQUIRES A MINIMUM OF 2 STRAIGHT PIPE DIAMETERS DOWNSTREAM
- 125# CLASS B FLANGES ALSO MATE TO 150# FLANGES

ORDER DATA

Sample Part #: **MBF-0400-**

Model _____
 Size _____
 Option Order Code (HT) _____
 Option Order Code (PTE) _____

For part numbers and ordering information please consult the "Ordering Guide" section in Nexus Catalog.

MATERIALS & DESIGN DATA

BODY: CAST IRON, ASTM A126, CLASS B
175 PSIG, 250°F,
STANDARD 125# CLASS B FLANGES

LIMITING SCREW: BRASS, ASTM B16 C36000

STEM STOPPER: BRASS, ASTM B16 C36000

RETAINING RING: BRASS, ASTM B16 C36000

SPRING: STAINLESS STEEL 302

O-RINGS: EPDM

HANDWHEEL: POLYAMIDE (2½", 3", 4")
STEEL, EPOXY COATED (5", 6")

POSITION INDICATOR: POLYAMIDE



SEAL: EPDM

SCREWS: STAINLESS STEEL A2

GLOBE: RYTON (PPS, Polyphenylene Sulfide)

ACCURACY: ±5%

ACCESSORIES

	Order Code	Part No.	Description
	<input type="checkbox"/> H HT.	HANGING TAG with Model No., Location (Maximum 7 Characters)
	<input type="checkbox"/> X PTE.	PRES / TEMP TEST PLUG EXTENSION 1¼" O.A.L.

PROJECT _____

CONTRACTOR _____

PO/JOB NO. _____

ENGINEER _____

REPRESENTATIVE _____

DATE _____