

Whispurr Air 2 Series

All Unheated Models

Model Lengths 36" (900 mm), 42" (1000 mm), & 48" (1200 mm)



atmosphere is everything

14716 S. BROADWAY, GARDENA, CA 90248 • Ph: (310)532-1555 Fax: (310)-532-3030 • www.marsair.com
© Copyright Mars Air Systems, LLC 2014

Whispurr Air 2 Unheated Models

Applications: Environmental Separation: Max Height 8' (2.44 m) / Insect Control: Max Height 7' (2.13 m)

WA2 (Whispurr Air 2)	Mechanical Data				Lab Data			
Model Number	Nozzle Length (in / mm)	Motor (hp / kW)	Weight (lbs / kg)	Sound Level dBA (at 10' free field)	Max Velocity (Hi Speed) (fpm / m/s)	Max Volume (Hi Speed) (cfm / m ³ /h)	Min Velocity (Low Speed) (fpm / m/s)	Min Volume (Low Speed) (cfm / m ³ /h)
WA236-1U*-PW	36 / 900	0.33 / 0.25	21 / 9.5	55	2265 / 11.5	1001 / 1700	1870 / 9.5	795 / 1350
WA242-1U*-PW	42 / 1000	0.33 / 0.25	23 / 10.5	56	2265 / 11.5	1177 / 2000	1870 / 9.5	1001 / 1700
WA248-1U*-PW	48 / 1200	0.33 / 0.25	26 / 12	57	2265 / 11.5	1354 / 2300	1870 / 9.5	1060 / 1800

* - Use corresponding letters in "Electrical Data" columns to complete the model numbers.

Note: Data above is for 60Hz, 17% reduction in the performance data for 50Hz.

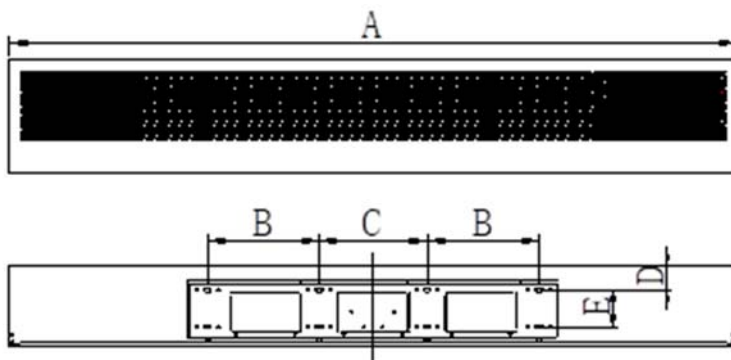
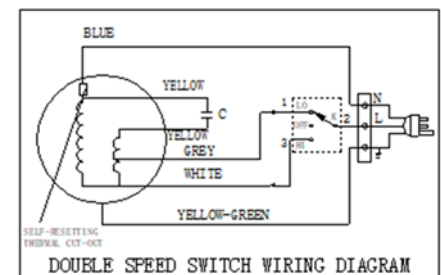
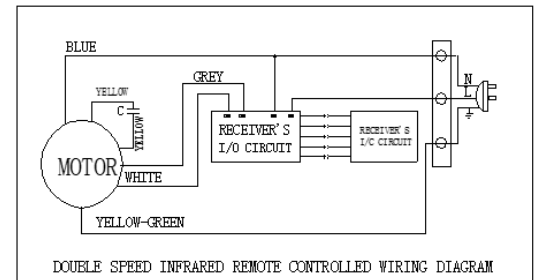
Features:

- ❖ 1/3 HP continuous duty motors
- ❖ Sleek self-contained one piece light gauge corrosion resistance paint lock design
- ❖ Dynamically balanced corrosion resistance aluminum crossflow wheels
- ❖ Very low profile design
- ❖ Dual speed controls
- ❖ Infrared remote control included
- ❖ Magnetic Door Limit Switch included
- ❖ Rear mounting bracket provided for wall mounting easy installation
- ❖ Adjustable air directional vanes with 40° sweep front and back
- ❖ Standard color is Pearl White
- ❖ 1 year parts warranty
- ❖ Freight not included

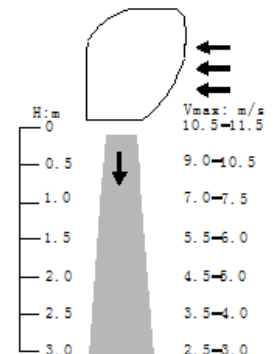
Electrical Data (FLA)	Unit Voltage (Voltage Code)			
	115v/1Ø/60Hz (A)	208/230v/1Ø/60Hz (D)	115v/1Ø/50Hz (T)	208/230v/1Ø/50Hz (U)
WA236-1U*-PW	1.65	0.91	1.57	0.87
WA242-1U*-PW	1.91	0.91	1.57	0.87
WA248-1U*-PW	2.34	1.11	2.96	1.63

* - Use corresponding letters in "Electrical Data" columns to complete the model numbers.

Note: For Ampacity Multiply FLA X 1.25



Unit / Mounting Dimensions								
Model	A (in / mm)	B (in / mm)	C (in / mm)	D (in / mm)	E (in / mm)	F (in / mm)	G (in / mm)	H (in / mm)
WA236-1U*-PW	36 / 900	N/A	19.875 / 505	2.625 / 66.5	13.9375 / 100	N/A	8.625 / 215	7.5 / 189
WA242-1U*-PW	42 / 1000							
WA248-1U*-PW	48 / 1210							



NOTE: MARS AIR SYSTEMS, LLC reserves the right to change specifications and product design without notice. Such revisions do not entitle the buyer to corresponding changes, improvements, additions or replacements for previously purchased equipment.

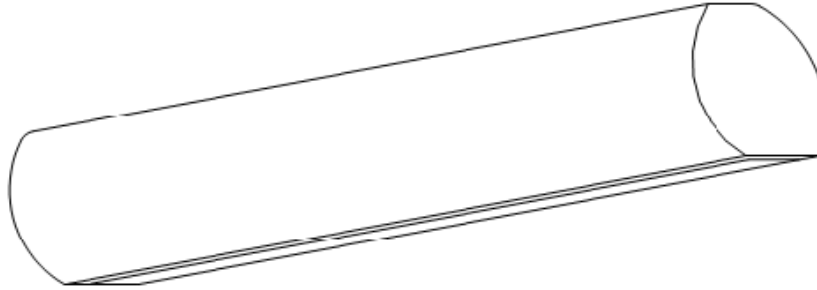
Whispurr Air 2 (WA2) COMMERCIAL SERIES

Installation, Operation and Maintenance Manual

atmosphere is everything

OVERVIEW

Typical installation heights:
 Environmental up to 8' (2.44 m),
 Flying Insect Control up to 7' (2.13 m).
 The motors used in the Whispurr Air 2 series are 1/3 HP (0.25 kW).



INSTALLATION

Typical Mounting – Wall Mounted Horizontally Above the Door Opening

1. Remove the air intake grille(s), all packaging materials, hardware and all other accessories from interior of unit prior to operating.
2. Remove fixing screws and mounting plate from unit. (FIG. 1).
3. Install the mounting plate(s) centered above the opening. (FIG. 2).
4. Set the main body onto the upper end of the mounting plate and clamp it as shown. (FIG. 3).
5. If applicable, for tandem installation or products mounted side by side, allow no more than 6" between the two products.
6. All wires must be connected internal of the unit. However, it may be necessary to create your own knockout(s), as required. The unit must be wired per NEC and local codes.

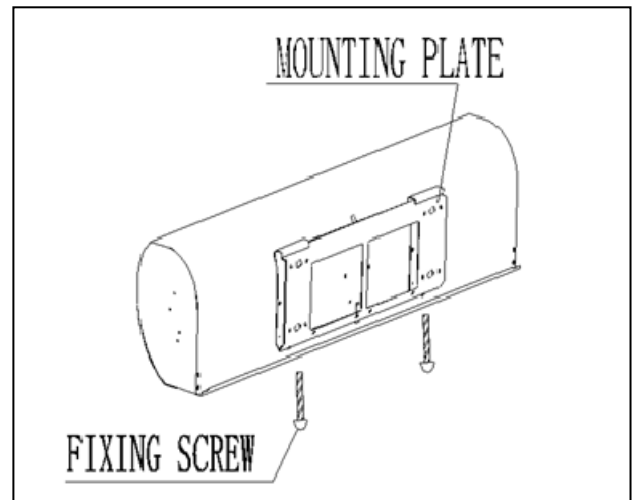


FIG. 1

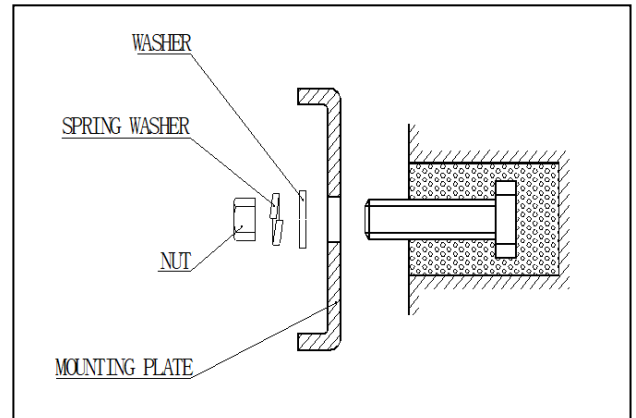


FIG. 2

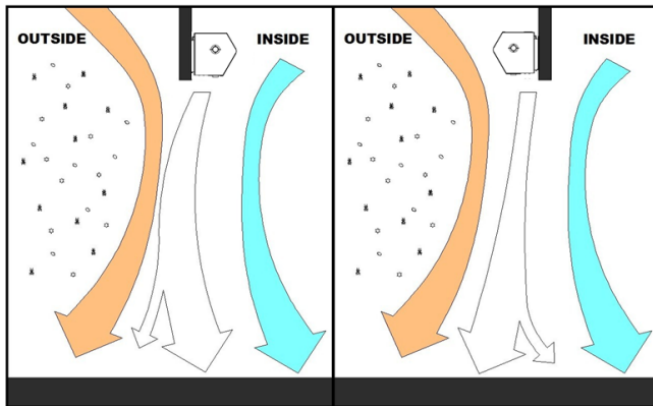


FIG. 4

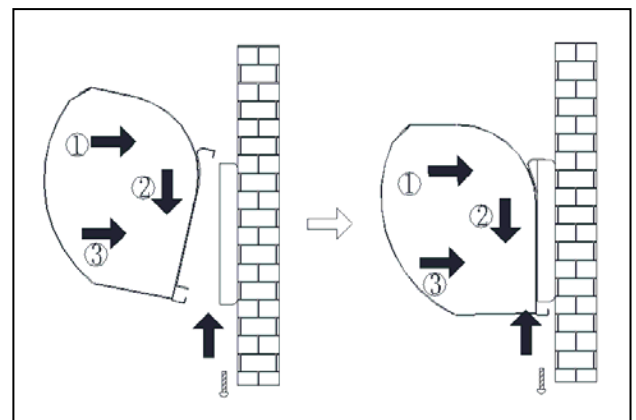


FIG. 3